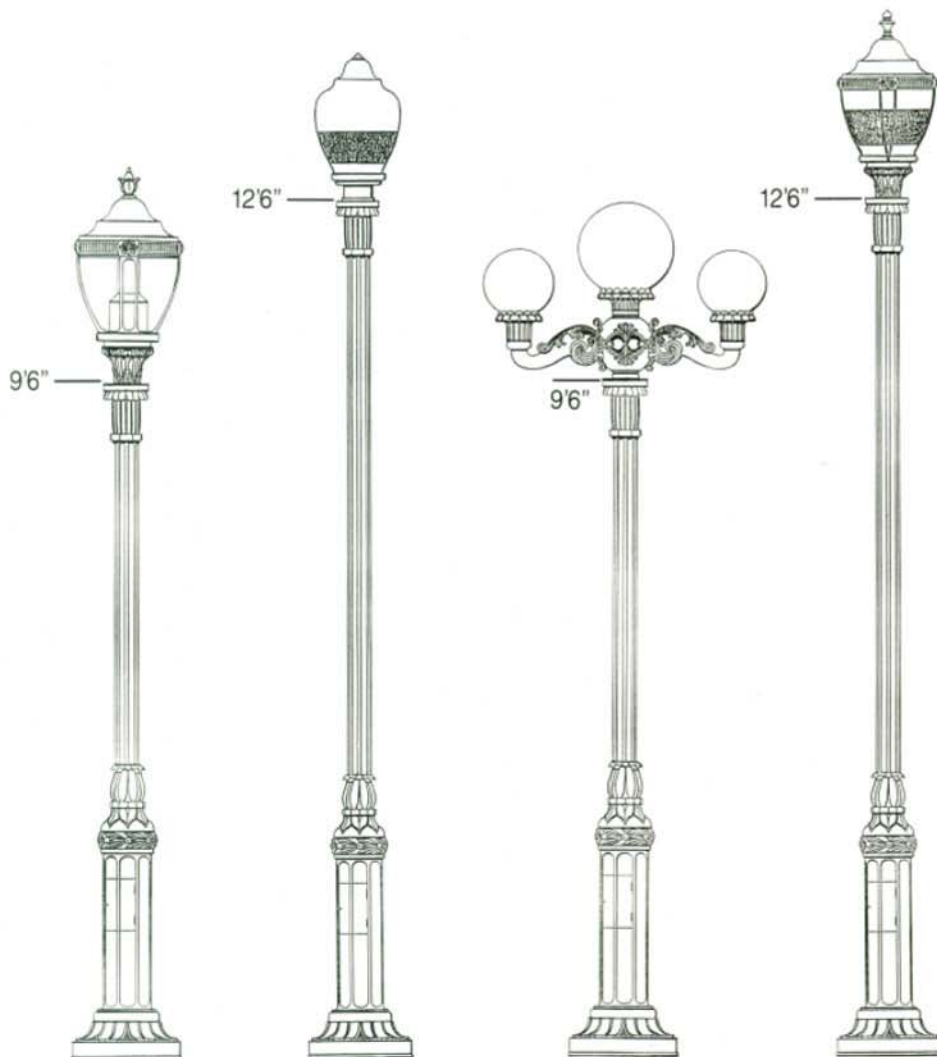


# THE CENTRAL PARK

F E R R O N I T E S E R I E S



## Description

The Central Park Design was originally designed in 1907 by Henry Bacon specifically for use in Central Park, New York City. This artistically decorative pole in lengths of 9'6" and 12'6" is still found throughout this famous park but is also widely used throughout New York City and elsewhere — "The pole shall be King Luminaire Catalogue Number KF31-XX".

## Material

The pole shall be all Ferronite™ cast ductile iron 60-45-10 as per ASTM A395. A certification of physical and chemical properties of typical pours must be available upon request to ensure a true 60-45-10 ductile iron as cast. All hardware shall be corrosion resistant stainless steel or brass.

## Dimensions

The pole shall be XX ft. in height with a 18" diameter base. It shall be supplied complete with a tamper resistant 3-1/2" x 9-1/2" door and a 1/2" 13 UNC grounding stud. A tenon shall be provided at top of shaft, 2-1/2" OD x 2-3/4" long. Other sizes are available on request including tenons for multiple arm structures.

## Installation

The pole shall be supplied complete with 4 anchor bolts, 3/4" x 27", 55,000 PSI minimum yield strength, galvanized to ASTM A-153, with a threaded end, 2 oversized washers and 2 hex nuts for double nutting. Anchor bolt certification available upon request.

## Finish

All iron castings to be prime painted with two coats of 5% zinc oxide 2 mill dry thickness. Finish coat to be alkyd enamel field applied by others.

## How to Catalogue

Description	Catalogue Number	Pole Height	Pole Top Diameter	Pole Weight Lbs.
Central Park 10'	KF31-10	9'6"	3-1/2"	350
13'	KF31-13	12'6"	3-1/2"	450

## Options

- A Ladder Rest:** Specify "LRN"
- B Banner Arm:** Specify "BA"
- C Ground Fault Duplex Receptacle:** Specify "DR"
- D Flagholder:** Specify "FH"
- E Decorative Arms:** King offers a wide selection of single, twin and multiple arms, from finely detailed historically accurate reproductions to more recent custom designs.  
To specify, turn to "Arms and Capitals" section of the catalogue.

## Luminaires

Select from King's vast array of historically accurate luminaires, with unmatched modern photometric performance. To select the luminaire for your application, turn to the "Luminaire" section of our catalogue.

## Finish

The standard pole finish is prime painted with a zinc primer. Although we can arrange finish paint for any pole, due to their weight and size *we strongly recommend factory prime paint with final coat field applied.* To specify factory finish paint specify "FFP" otherwise standard prime paint finish only will be supplied.

## How to Order

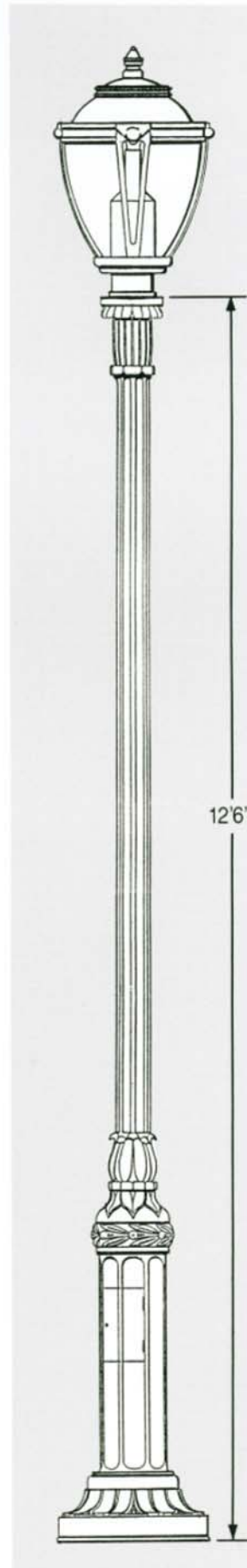
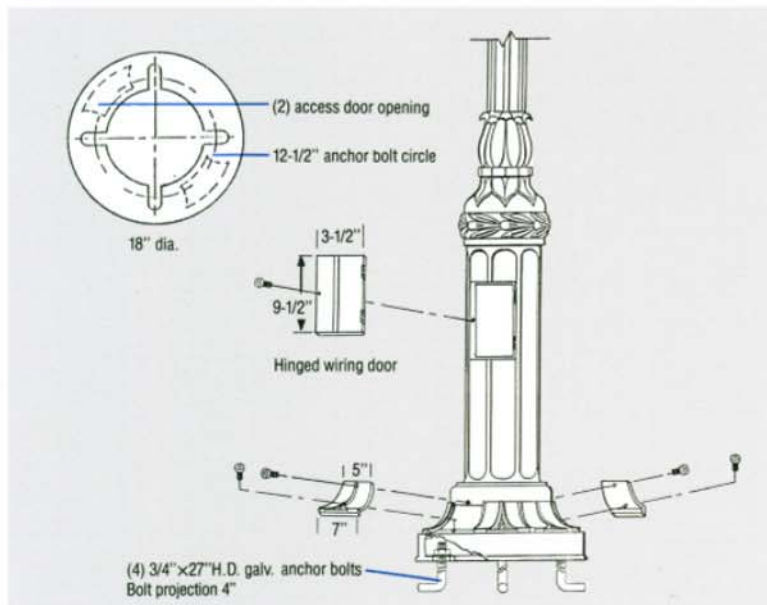
Pole Catalogue # and Options

**KF31-10** | | | | | | | | | |

King Ferronite  
Central Park 9'6" Pole

Indicate Desired  
Options Here

## Anchor Bolt/Base Details



**KING LUMINAIRE**

1153 State Route 46N  
Jefferson, Ohio, USA 44047  
Toll Free 1-800-268-7809 Fax (905) 632-8116

840 Walkers Line, P.O. Box 7  
Burlington, Ontario, Canada L7R 3X9  
Telephone (905) 632-9301  
Toll Free 1-800-268-7809 Fax (905) 632-8116

9200 Energy Lane  
Northport, Alabama, USA 35476-3442  
Telephone (205) 339-0711  
Toll Free 1-800-435-6563 Fax (205) 339-4840