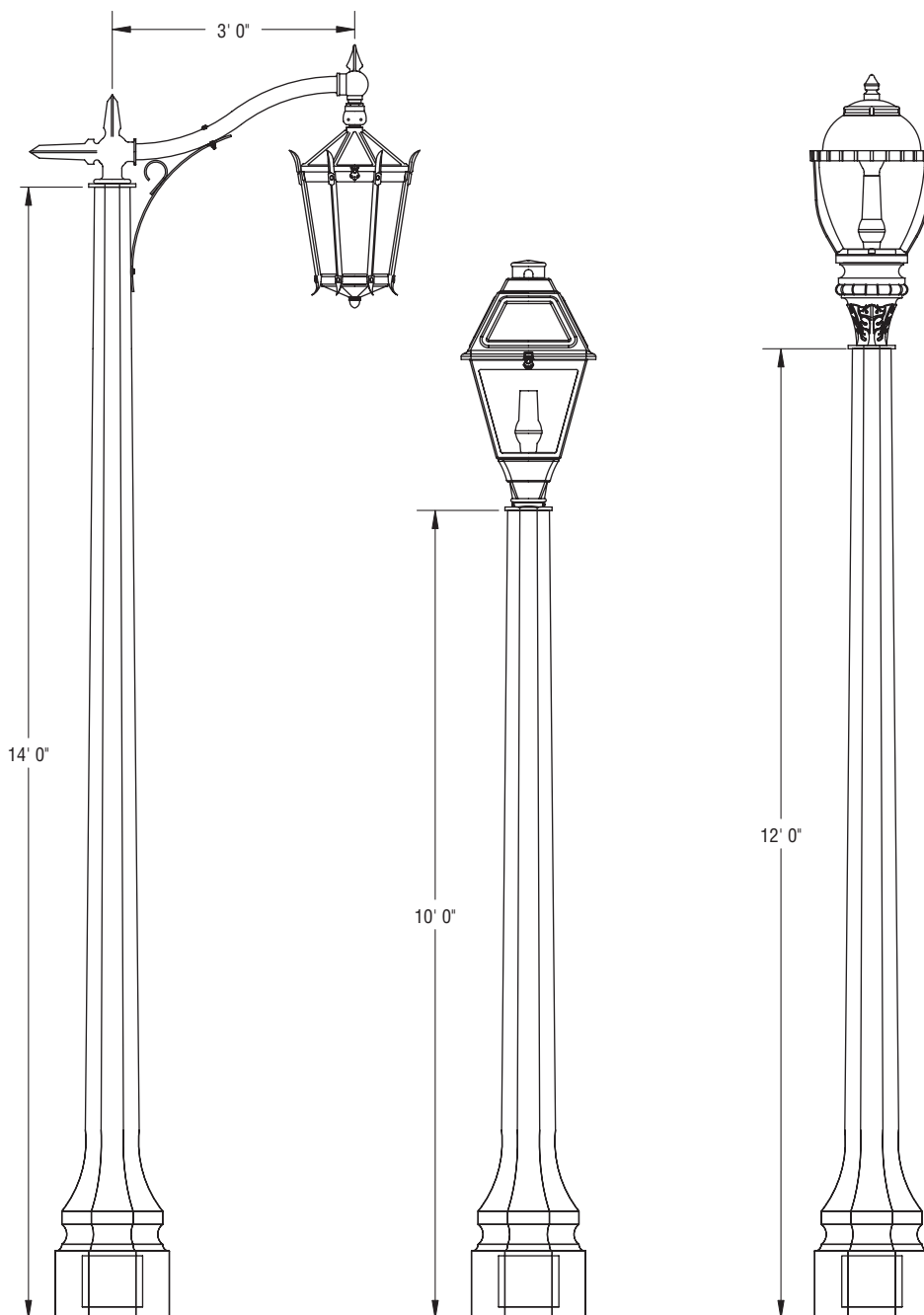


THE COMMUNITY

MILLENNIUM SERIES

Cast Aluminum Pole



This gracefully proportioned pole has a long and distinguished history, first produced in the early 1900's by the original King Company as one of their fine line of Ferronite poles. It was successfully copied by both of the manufacturers of spun concrete lighting poles, who were in production at that time, and was marketed as the Belmont. Under this name, it has been a key component of StressCrete's Americana series for over two decades. King Luminaire is now proud to update the Community design by introducing a new version in cast aluminum. Available in heights from 10' - 14', the cast aluminum Community offers new opportunities in ornamental design.

Material

The pole shall be a **one-piece tapered heavy wall cast aluminum** construction. All hardware shall be corrosion resistant stainless steel and anchor bolts to be hot dip galvanized.

Dimensions

The pole shall be XX' in height with a 17" flat to flat octagonal base. It shall be supplied complete with a tamper resistant 9" x 7-1/2" access door and a 1/2" ground stud. A tenon shall be provided at the top of the shaft, 3-1/2" O.D. x 3". Other size tenons are available upon request.

Installation

The pole shall be supplied complete with 4 anchor bolts, 3/4" x 27", 55,000 PSI minimum yield strength, galvanized to ASTM A-153, with a threaded end, 2 oversized washers and 2 hex nuts for double nutting. Anchor bolt certification is available upon request.

Finish

The pole shall have a powder coat finish, which utilizes our "KingCoat" electrostatic paint system, offering a durable long-lasting finish. For color selections, please see our KingCoat color brochure in our catalog or on our website.



KING LUMINAIRE™

How to Catalog

Description	Catalog Number	Pole Height	Pole Top Flat to Flat	Pole Weight (lbs)
Community 10'	KM13FC-10	10' 0"	6 3/16"	153
Community 12'	KM13FC-12	12' 0"	5 3/4"	169
Community 14'	KM13FC-14	14' 0"	5 1/4"	185

How to Order

Catalog Number	Height	Option	Option	Option
KM13FC	14'	DR	BA	BZ
Optional Items				
DR	GFI Duplex Receptacle generally located one foot from top of pole.			
BA	Banner Arms supplied to required length			
FH	Flagholder orientated to specification			
LRN	Ladder Rest			
FFP	KingCoat Powder Coat Paint Finish			
	GN - Green	GY - Gray	BK - Black	
	BE - Blue	BN - Brown	BZ - Bronze	
	<i>*Custom colors available upon request.</i>			

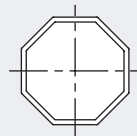
Luminaires

Select from King's vast array of historically accurate luminaires with unmatched modern photometric performance. To select the luminaire for your application, refer to the "Luminaire" section of our catalog or website.

Decorative Arms

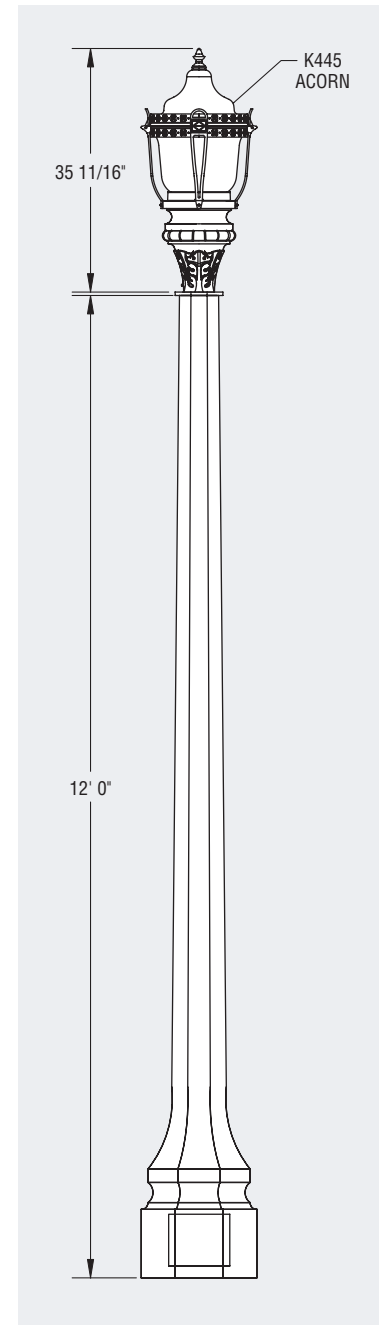
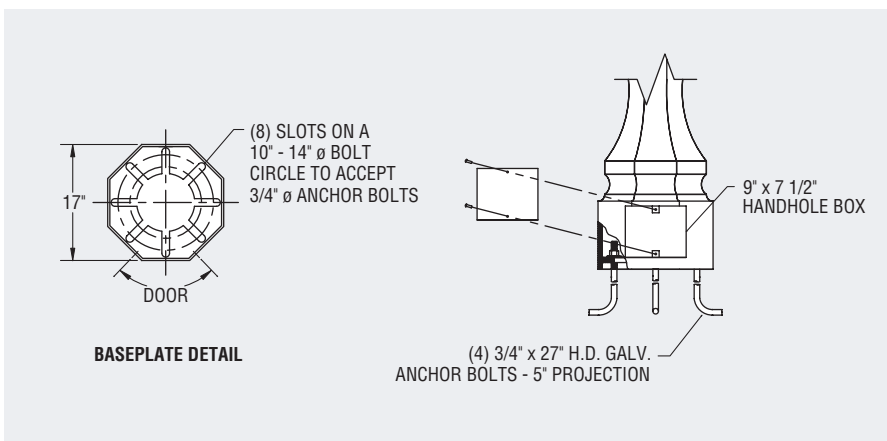
King offers a wide selection of single, twin, and multiple arms, from finely detailed, historically accurate reproductions to more recent custom designs. To specify, refer to the "Arms and Capitals" section of our catalog or website.

Shaft Cross Section



Taper of Shaft: .23"/ft.

Anchor Bolt / Base Plate Detail



KING LUMINAIRE™

www.kingluminaire.com

9200 Energy Lane
Northport, Alabama, USA 35476-3442
Tel: (205) 339-0711 Fax: (205) 339-4840
Toll Free 1-800-435-6563

1153 State Route 46N
Jefferson, Ohio, USA 44047
Toll Free 1-800-268-7809 Fax: (905) 632-8116

14503 Wallick Road
Atchison, Kansas 66002
Tel: (913) 255-3112 Fax: (913) 255-3124
Toll Free 1-800-837-1024

840 Walkers Line, P.O. Box 7
Burlington, Ontario, Canada L7R 3X9
Tel: (905) 632-9301 Fax: (905) 632-8116
Toll Free 1-800-268-7809