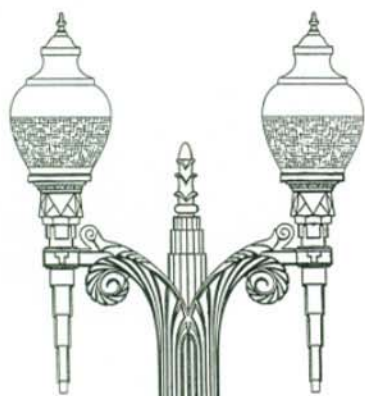


THE FRENCH SENIOR

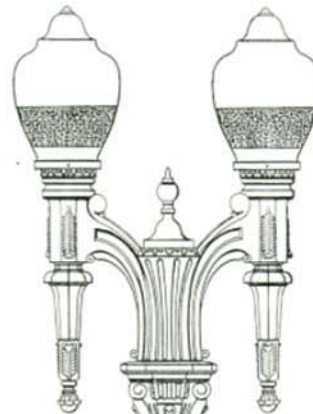
F E R R O N I T E S E R I E S



12'



12'



12'

Description

The French Senior is the most impressive member of the King "French Family" a design truly unique to our company. It was originally produced by the King Company in the early 1900's with the advent of the "Great White Way". The Senior was designed to carry massive ornamental twin arms truly "Lighting the Way" — "The pole shall be King Luminaire Catalogue Number KF65-12".

Material

The pole shall be an all Ferronite™ cast ductile iron 60-45-10 as per ASTM A395. A certification of physical and chemical properties of typical pours must be available upon request to ensure a true 60-45-10 ductile iron as cast. All hardware shall be corrosion resistant stainless steel or brass.

Dimensions

The pole shall be 12 ft. in height with a 21-3/4" diameter base. It shall be supplied complete with a tamper resistant 2-1/2" x 11" x 11-1/2" door and a 1/2" 13 UNC grounding stud. A tenon shall be provided at top of shaft, 3-1/2" OD x 3". Other sizes are available on request including tenons for multiple arm structures.

Installation

The pole shall be supplied complete with 4 anchor bolts, 1" x 36", 55,000 PSI minimum yield strength, galvanized to ASTM A-153, with a threaded end, 2 oversized washers and 2 hex nuts for double nutting. Anchor bolt certification available upon request.

Finish

All iron castings to be prime painted with two coats of 5% zinc oxide 2 mill dry thickness. Finish coat to be alkyd enamel field applied by others.

How to Catalogue

Description	Catalogue Number	Pole Height	Pole Top Diameter	Pole Weight Lbs.
French Senior 12'	KF65-12	12'0"	6-3/8"	1,000

Options

- A Ladder Rest:** Specify "LRN"
- B Banner Arm:** Specify "BA"
- C Ground Fault Duplex Receptacle:** Specify "DR"
- D Flagholder:** Specify "FH"
- E Decorative Arms:** King offers a wide selection of single, twin and multiple arms, from finely detailed historically accurate reproductions to more recent custom designs.
To specify, turn to "Arms and Capitals" section of the catalogue.

Luminaires

Select from King's vast array of historically accurate luminaires, with unmatched modern photometric performance. To select the luminaire for your application, turn to the "Luminaire" section of our catalogue.

Finish

The standard pole finish is prime painted with a zinc primer. Although we can arrange finish paint for any pole, due to their weight and size *we strongly recommend factory prime paint with final coat field applied*. To specify factory finish paint specify "FFP" otherwise standard prime paint finish only will be supplied.

How to Order

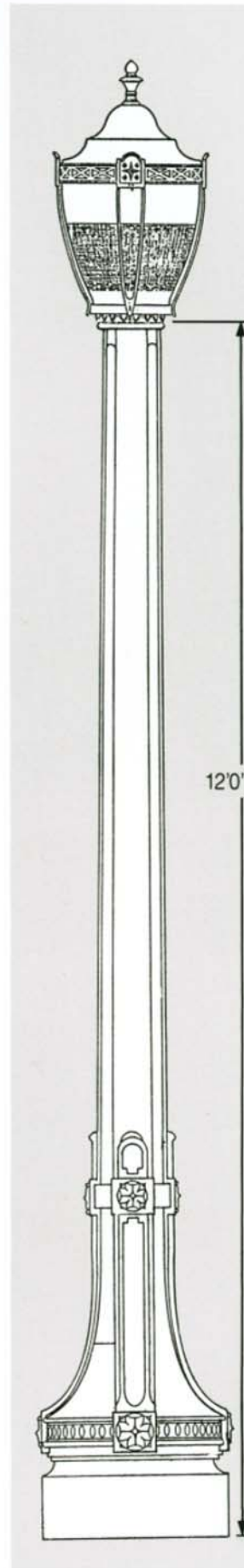
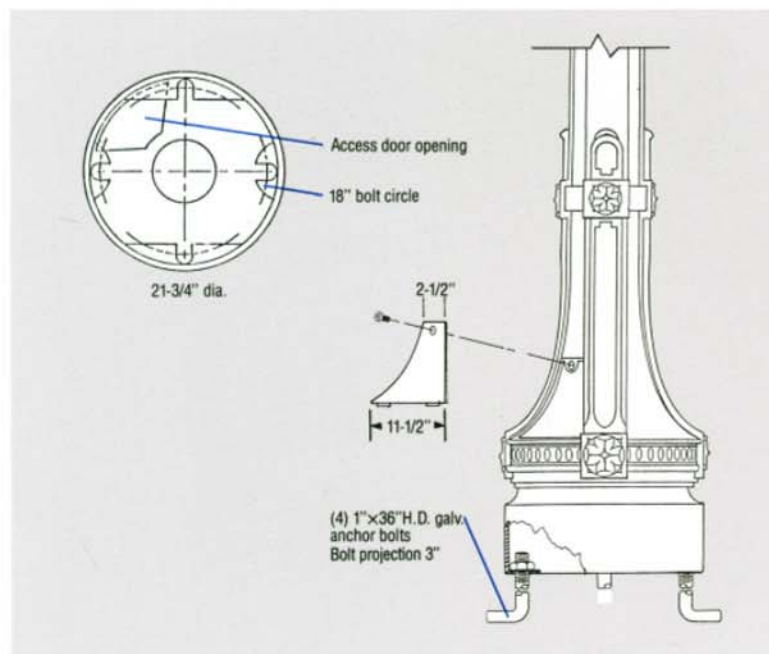
Pole Catalogue # and Options

KF65-12

King Ferronite
French Senior 12' Pole

Indicate Desired
Options Here

Anchor Bolt/Base Details



KING LUMINAIRE

1153 State Route 46N
Jefferson, Ohio, USA 44047
Toll Free 1-800-268-7809 Fax (905) 632-8116

840 Walkers Line, P.O. Box 7
Burlington, Ontario, Canada L7R 3X9
Telephone (905) 632-9301
Toll Free 1-800-268-7809 Fax (905) 632-8116

9200 Energy Lane
Northport, Alabama, USA 35476-3442
Telephone (205) 339-0711
Toll Free 1-800-435-6563 Fax (205) 339-4840