



K282 BOSTONIAN - LED



Similar to our popular K805 and K705, the K282 Bostonian offers an intermediately sized version, available in various KingCoat™ colors. With its heavy wall aluminum casting and high performing optical system, its suitable for a variety of contemporary settings including roadway lighting, parking lots, walkways, waterfronts and recreational areas.

PROJECT: _____

PREPARED BY: _____

DATE: _____

PRODUCT SPECIFICATIONS

LED ENGINE

Light engine shall include an array of 30 solid state Cree X-Series high power LEDs (light emitting diodes). The emitters shall be mounted to a metal core circuit board using SMT technology. The LEDs and circuit boards shall then be mounted to a high performance heat sink.

OPTICS

External light control shall consist of high precision refractive lenses mounted above the LED emitter arrays in such a way to achieve optimum uplight control. The lenses shall also control horizontal light distribution so that Type III or V IESNA distribution patterns are achieved.

LENS

The K282 Bostonian pendant is available with or without a lens. Lens options include rippled glass (borosilicate) shallow, acrylic shallow refractive, polycarbonate shallow refractive, clear glass (borosilicate) sag, and clear glass (borosilicate) shallow. The lens is secured by means of a cast A319 aluminum globe ring that is sealed with a continuous circular gasket.

DECORATIVE BODY

The luminaire shall consist of a heavy Grade A319 cast aluminum housing that acts as the enclosure for the engine and is of adequate thickness to give structural rigidity. The engine must be affixed to the inside of the housing with stainless steel screws.

The bottom decorative portion of the K282 Bostonian is comprised of a one-piece spun aluminum alloy with a minimum thickness of 0.09". The spinning is permanently affixed to the cast housing with the use of stainless steel hardware.

PLUMBIZER

The K282 Bostonian comes with multiple mounting options including the KPL10, KPL11, KPL20, KPL21, KPL30, KPL31 and KPL40. Please contact King Luminaire for more details and specifications.

DRIVER

The LED universal dimmable driver will be class 2 and capable of 120 - 277V or 347 - 480V input voltage,

greater than 0.9 power factor, less than 20% total harmonic distortion. The case temperature of the driver can range from -40°C up to 70°C. Each LED system comes with a standard surge protection designed to withstand up to 20kV/10kA of transient line surge as per IEEE C62.41.2 C High. An in-line ferrite choke is utilized to provide protection against EFT's. The driver assembly will be mounted on a heavy duty fabricated aluminum bracket to allow complete tool-less maintenance.

PHOTOMETRICS

Fixtures are tested to IESNA LM79 specifications. These reports are available upon request.

CHROMATICITY

High output LEDs come standard at 3000K & 4000K (+/- 300K) with a minimum nominal 70 CRI. Additional CCT emitters are available upon request.

LUMEN MAINTENANCE

Reported (TM21) and Calculated (L70) reports are available upon request with a minimum calculated value of 100,000 hrs.

WIRING

All internal wiring and connections shall be completed so that it will be necessary only to attach the incoming supply connectors to Mate-N-Lok connectors or to a terminal block. Mate-N-Lok shall be certified for 600V operation. Internal wire connectors shall be crimp connector only and rated at 1000V and 150°C. All wiring to be CSA certified and/or UL listed, type SFF-2, SEWF-2, or SEW-2 No. 14 gauge, 150°C, 600V, and color coded for the required voltage.

THERMALS

Fixtures tested to DOE sanctioned standards to determine the maximum in-situ solder-point or junction-point temperatures of the LED emitters. This report is available upon request.

FINISH

Housing is finished with a 13 step KingCoat™ SuperDurable polyester TGIC powder coat. Standard colors include strobe white, brown metal, marina blue, gate gray, Chicago

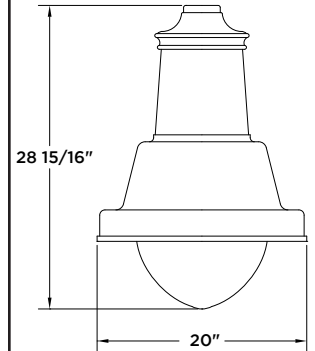
bronze, standard gold, standard black, federal green and rain forest. Please see our website for a complete list of colors. RAL and custom color matches are available.

MISCELLANEOUS

All exterior hardware and fasteners, wholly or partly exposed, shall be stainless steel alloy. All internal fasteners are stainless steel or zinc coated steel. All remaining internal hardware is stainless steel, aluminum alloy, or zinc coated steel.

WARRANTY

The K282 Bostonian LED luminaire comes with a 7 year limited warranty.



CERTIFICATION:

CSA US Listed
Suitable for wet locations
ISO 9001
IP66
ARRA Compliant
LM79 / LM80 Compliant

DRIVER INFO:

>0.9 Power Factor
<20% Total Harmonic Distortion
120 - 277V & 347 - 480V
-40°C Min. Case Temperature
70°C Max. Case Temperature
Surge Protection: ANSI C136.2
extreme level 20kV/10kA

EPA:

Shallow Lens: 1.83 sq. ft.

FIXTURE WEIGHT:

Shallow Lens: 31 lbs



Contact King Luminaire for product specifications that are exempt from CSA Certification 05-30-2019



Test Voltage: 120V
Nominal Color Temperature: 3000K & 4000K¹
7030 Engine Series: 30 Emitters (40 - 100W Max)
LED Engine + Driver Rated Life = 100,000 hrs²

To learn more about the P4 Optic, please see the P4 Pendant Optic Information Sheet

Photometric Test Report Number	Optical Option	Color Temperature	IES Distribution	Nominal Watts	Engine Series	Delivered Lumens ³	Efficacy (LM/W) ³	mA @ emitter	Driver Output Current	BUG Rating	HID Equivalent ⁴
In Testing	P4GS	4000	Type III	40	7030	N/A	N/A	400	2000	N/A	50 - 70
In Testing	P4GS	4000	Type V	40	7030	N/A	N/A	400	2000	N/A	50 - 70
0200SP4GS3X06040XXD	P4GS	4000	Type III	60	7030	5757	94.0	600	3000	1-3-2	70 - 100
0200SP4GS5X06040XXA	P4GS	4000	Type V	60	7030	5969	91.4	600	3000	-	70 - 100
0200SP4GS3X07540XXD	P4GS	4000	Type III	75	7030	7820	98.0	800	4000	2-3-2	100 - 150
0200SP4GS5X07540XXD	P4GS	4000	Type V	75	7030	6833	93.5	800	4000	2-3-1	100 - 150
0200SP4GS3X10040XXA	P4GS	4000	Type III	100	7030	10549	104.8	960	4800	-	150 - 200
In Testing	P4GS	4000	Type V	100	7030	N/A	N/A	960	4800	N/A	150 - 200
0200SP4PS3X06030XXJ	P4PS	3000	Type III	60	7030	6464	111	600	3000	2-3-2	70 - 100
0200SP4PS3X07530XXJ	P4PS	3000	Type III	75	7030	8085	107	800	4000	2-3-2	100 - 150
0200SP4PS3X10030XXJ	P4PS	3000	Type III	100	7030	9532	104	960	4800	2-3-3	150 - 200

Lens: Rippled Glass Shallow (P4GS), Polycarbonate Shallow Refractive (P4PS)

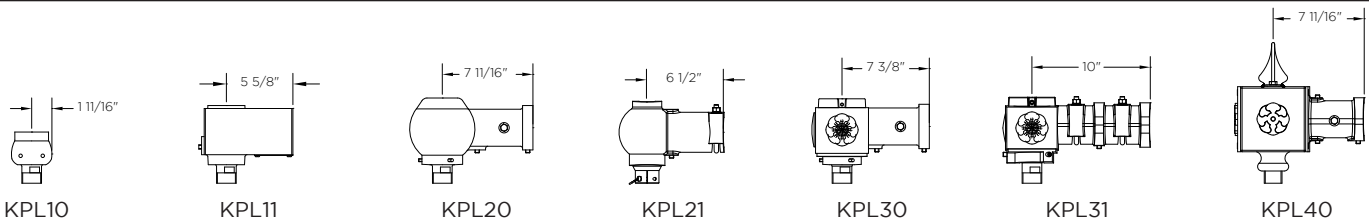
¹Color temperature is nominal, please see test report for specific chromaticity information

²Contact factory for TM21 information

³Due to the continuous advancements in LED technology, luminaire delivered lumen and efficacy is subject to change without notice at the discretion of King Luminaire

⁴Equivalence should always be confirmed by performing a photometric layout, due to the variability of performance requirements and application criteria

PLUMBIZER/MOUNTING OPTIONS



HOW TO ORDER

