



K611 - BALMORAL LED

The K611 Balmoral provides a modern take on a historical lantern style with high performance optical systems that provide excellent spacing and low glare. Ideally suited for city streets, parks, schools and commercial areas. Add to the continuity of your space with a matching pendant to light pathways and roadways alike.



PROJECT: _____

PREPARED BY: _____

DATE: _____

PRODUCT SPECIFICATIONS

LED ENGINE

Light engine shall include an array of Cree X-Series high power LEDs (light emitting diodes). The emitters shall be mounted to a metal core circuit board using SMT technology. The LEDs and circuit boards shall then be mounted to a high performance heat sink.

External light control shall consist of high precision refractive lenses mounted above the LED emitter arrays in such a way to achieve optimum uplight control. The lenses shall also control horizontal light distribution so that Type II, III, IV or V IESNA distribution patterns are achieved.

LENS

The lens panels shall be made of polycarbonate or acrylic. The polycarbonate shall be a minimum of 3/16" thick and composed of Bayer Makrolon LTG 3123, General Electric Lexan 243, or equivalent. The acrylic shall be a minimum of 3/16" thick and composed of Ato-Haas V825-UVA5A, ICI CP-75-UVA, Cyro S-10-343, or equivalent. This is available in either clear or rippled configurations.

LUMINAIRE CONSTRUCTION

All K611 Balmoral cast components shall consist of a heavy grade A319 cast aluminum. The main body, or capital, acts as an enclosure for the driver assembly and is of adequate thickness to give sufficient structural rigidity. The capital shall have an opening at the base tenon body to allow the luminaire to be mounted to a tenon of 3-1/2" maximum diameter. The luminaire shall be locked in place by means of heavy duty, stainless steel set-screws.

LUMINAIRE ASSEMBLY

The luminaire assembly is a self-contained unit consisting of a rugged cast aluminum body, and the LED light engine consisting of aluminum castings and the LED light engine. The LED light engine is of a modular design, and can be quickly removed from the luminaire assembly. The hinged lid is cast aluminum and is secured to the main housing by a stainless steel rotary latch, which allows for quick tool-less access to the driver and LED engine.

PLUMBIZER

The K611 Balmoral pendant has multiple mounting options including the KPL10, KPL11, KPL20, KPL21, KPL30, KPL31 and KPL40. Please contact King Luminaire for more details and specifications.

DRIVER

The LED universal dimmable driver will be class 2 and capable 120 - 277V or 347 - 480V input voltage, greater than 0.9 power factor, less than 20% total harmonic distortion. The case temperature of the driver can range from -40°C to 70°C. Each LED system comes with a standard surge protection designed to withstand up to 20kV/10kA of transient line surge as per IEEE C62.41.2 C High. An in-line ferrite choke is utilized to provide protection against EFT's. The driver assembly will be mounted on a heavy duty fabricated aluminum bracket to allow complete tool-less maintenance.

PHOTOMETRICS

Fixtures are tested to IESNA LM79 specifications. These reports are available upon request.

CHROMATICITY

High output LEDs come standard at 3000K & 4000K (+/- 300K) with a minimum nominal 70 CRI. Additional CCT emitters are available upon request.

LUMEN MAINTENANCE

Reported (TM21) and Calculated (L70) reports are available upon request with a minimum calculated value of 100,000 hrs.

WIRING

All internal wiring and connections shall be completed so that it will be necessary only to attach the incoming supply connectors to Mate-N-Lok connectors or to a terminal block. Mate-N-Lok shall be certified for 600V operation. Internal wire connectors shall be crimp connector only and rated at 1000V and 150°C. All wiring to be CSA certified and/or UL listed, type SFF-2, SEWF-2, or SEW-2 No. 14 gauge, 150°C, 600V, and color coded for the required voltage.

THERMALS

Fixtures tested by a DOE sanc-

tioned test facility to determine the maximum in-situ solder-point or junction-point temperatures of the LED emitters. This report is available upon request.

FINISH

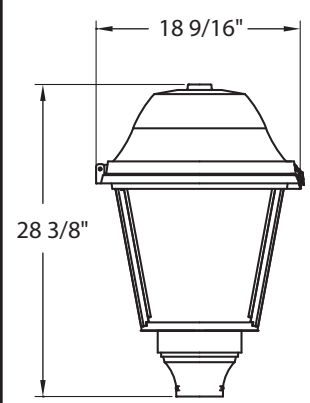
Housing is finished with a 13 step Kingcoat™ SuperDurable polyester TGIC powder coat. Standard colors include strobe white, brown metal, marina blue, gate gray, Chicago bronze, standard gold, standard black, federal green and rain forest. Please see our website for a complete list of colors. RAL and custom color matches are available.

MISCELLANEOUS

All exterior hardware and fasteners, wholly or partly exposed, shall be stainless steel alloy. All internal fasteners are stainless steel or zinc coated steel. All remaining internal hardware is stainless steel, aluminum alloy, or zinc coated steel.

WARRANTY

The K611 Balmoral LED luminaire comes with a 7 year limited warranty.



CERTIFICATION:

CSA US Listed
Suitable for wet locations
ISO 9001
IP66
ARRA Compliant
LM79 / LM80 Compliant

DRIVER INFO:

>0.9 Power Factor
<20% Total Harmonic Distortion
120 - 277V & 347 - 480V
-40°C Min. Case Temperature
70°C Max. Case Temperature
Surge Protection: ANSI C136.2
extreme level 20kV/10kA

EPA:

2.87 sq. ft

FIXTURE WEIGHT:

45 lbs





Test Voltage: 120V
 Nominal Color Temperature: 3000K & 4000K¹
 7030 Engine Series: 30 Emitters (40 - 100W Max)
 LED Engine + Driver Rated Life = 100,000 hrs²

To learn more about the P4 Optic, please see the P4 7030 Optic Information Sheet

	Photometric Test Report Number	Lens Option	Color Temperature	IES Distribution	Nominal Watts	Engine Series	Delivered Lumens ³	Efficacy (LM/W) ³	mA @ Emitter	Driver Output Current	BUG Rating	HID Equivalent ⁴
Post Top	0611TP4AR3X06030XXB	Acrylic Rippled	3000	Type III	60	7030	4534	76.1	600	3000	-	70 - 100
	0611TP4AR3X06040XXA	Acrylic Rippled	4000	Type III	60	7030	5580	90.4	600	3000	-	70 - 100
	0611TP4AR5X06040XXA	Acrylic Rippled	4000	Type V	60	7030	5408	88.8	600	3000	-	70 - 100
	0611TP4AR3X07530XXB	Acrylic Rippled	3000	Type III	75	7030	5248	72.2	800	4000	-	100 - 150
	0611TP4AR3X07540XXA	Acrylic Rippled	4000	Type III	75	7030	6395	85.4	800	4000	-	100 - 150
	0611TP4AR5X07540XXA	Acrylic Rippled	4000	Type V	75	7030	6318	84.5	800	4000	-	100 - 150
	0611TP4AR3X10030XXB	Acrylic Rippled	3000	Type III	100	7030	6143	65.1	960	4800	-	150 - 200
	0611TP4AR3X10040XXA	Acrylic Rippled	4000	Type III	100	7030	7621	77.8	960	4800	-	150 - 200
Pendant	0611PP4AR3X04040XXA	Acrylic Rippled	4000	Type III	40	7030	4004	96.5	400	2000	-	50 - 70
	0611PP4AR5X04040XXA	Acrylic Rippled	4000	Type V	40	7030	4045	96.5	400	2000	-	50 - 70
	0611PP4AR3X06040XXA	Acrylic Rippled	4000	Type III	60	7030	6178	85.0	600	3000	-	70 - 100
	0611PP4AR5X06040XXA	Acrylic Rippled	4000	Type V	60	7030	6221	85.6	600	3000	-	70 - 100
	0611PP4AR3X10040XXA	Acrylic Rippled	4000	Type III	100	7030	7339	77.1	960	4800	-	150 - 200

¹Color temperature is nominal, please see test report for specific chromaticity information

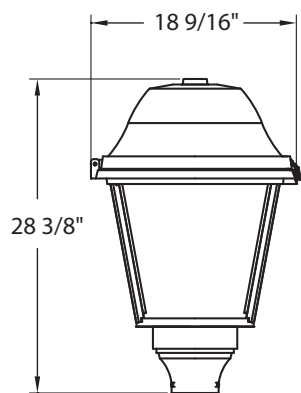
²Contact factory for TM21 information

³Due to the continuous advancements in LED technology, luminaire delivered lumen and efficacy is subject to change without notice at the discretion of King Luminaire

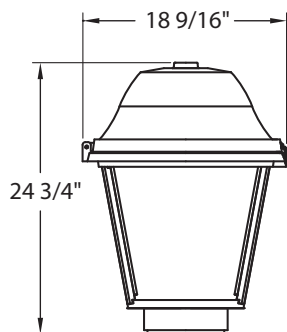
⁴Equivalence should always be confirmed by performing a photometric layout, due to the variability of performance requirements and application criteria

FIXTURE OPTIONS

Fixture Formats

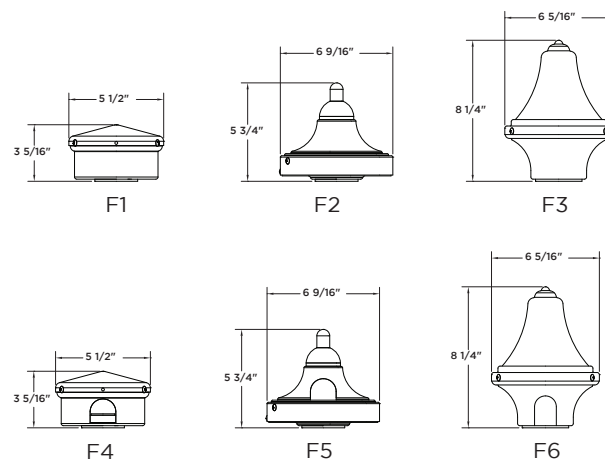


Post Top



Pendant

Finial Options (Post Top)



Plumbizer/Mounting Options

