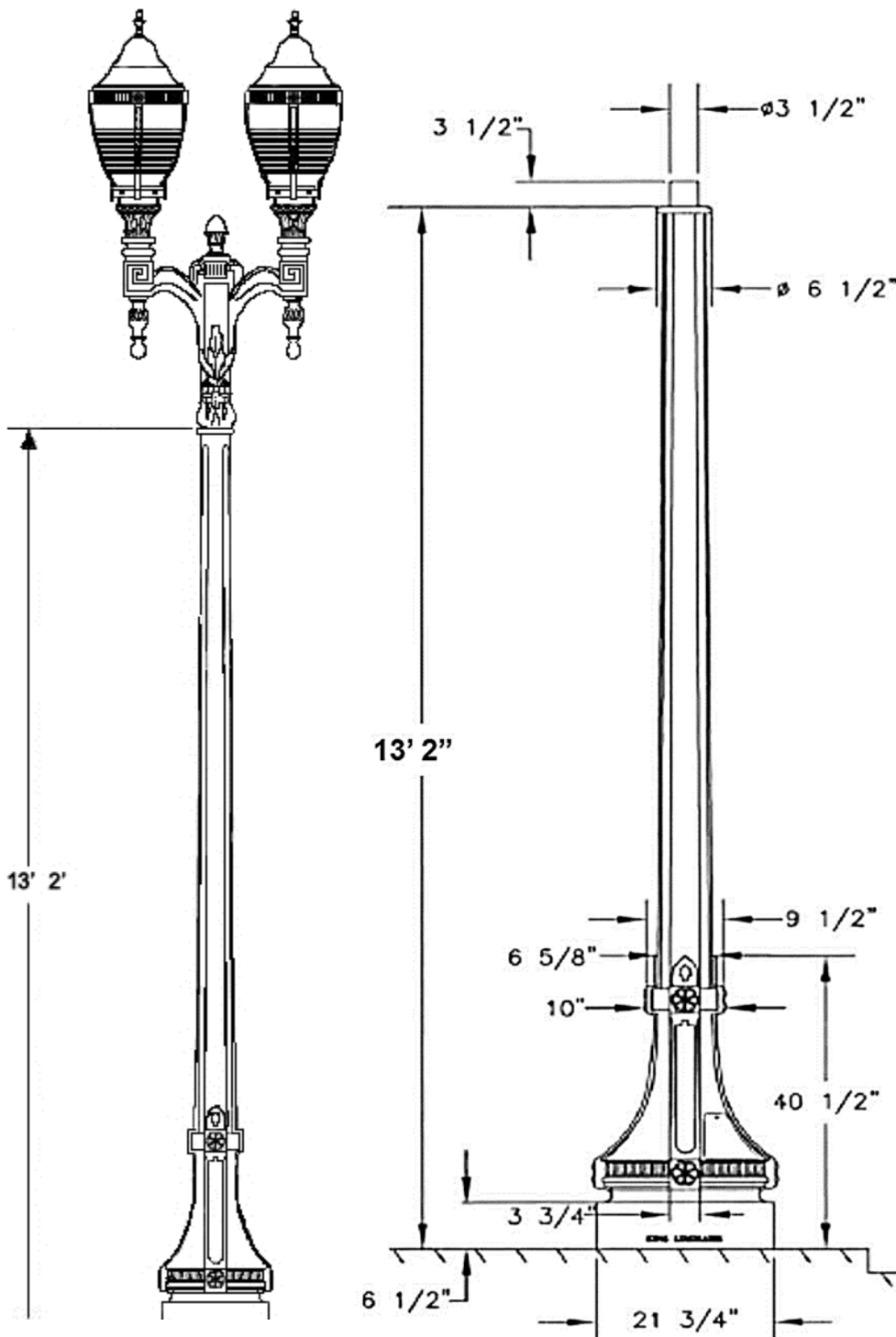


The French Intermediate

Millennium Series

Decorative Aluminum Pole



Description

The French Intermediate is the newest addition to the Millennium Series of aluminum poles. Originating in the early 1900's the 13 ft, Intermediate completes the full range of pole heights in the French Series. Designed for decorative luminaires in more intimate pedestrian scale locations, it is ideal for quiet residential areas, parks, walkways or pedestrian malls. The pole shall be King Luminaire Catalog Number KM62-13.

Material

The pole shall be a **one-piece tapered heavy wall cast aluminum** construction. All hardware shall be corrosion resistant stainless steel and anchor bolts to be hot dip galvanized.

Dimensions

The pole shall be 13' 2" in height with a 21 3/4" diameter base. It shall be supplied complete with a 1/2" -13 UNC grounding stud.

Installation

The pole shall be supplied complete with 4 anchor bolts, 1" x 36", 55 KSI minimum yield strength galvanized to ASTM A-153, with a threaded end, 2 over-sized washers and 2 hex nuts for double nutting. Anchor bolt certification available upon request.

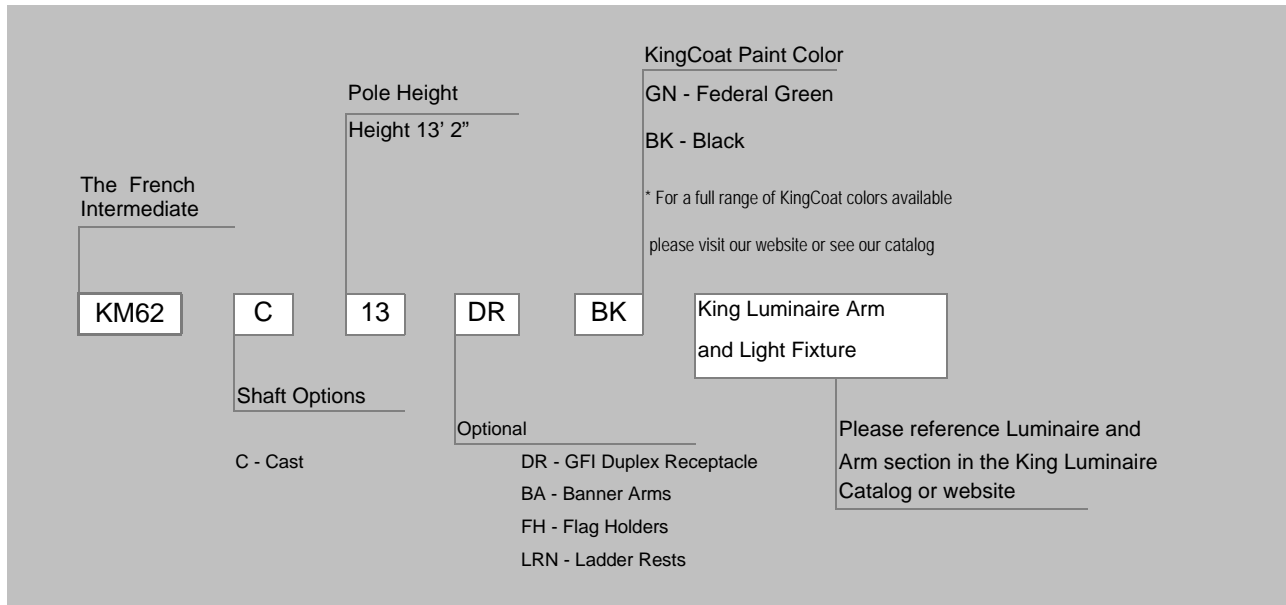
Finish

The pole shall have a powder coat finish, which utilizes our "King Coat" paint system, offering a durable, long-lasting finish. For color selection, please see our King Coat color brochure in our catalog or website.



KING LUMINAIRE
COMPANY INC.

HOW TO CATALOG



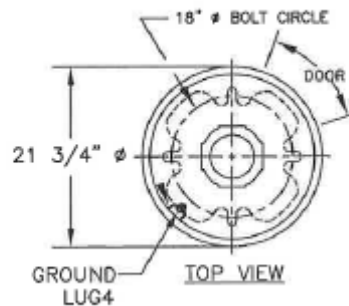
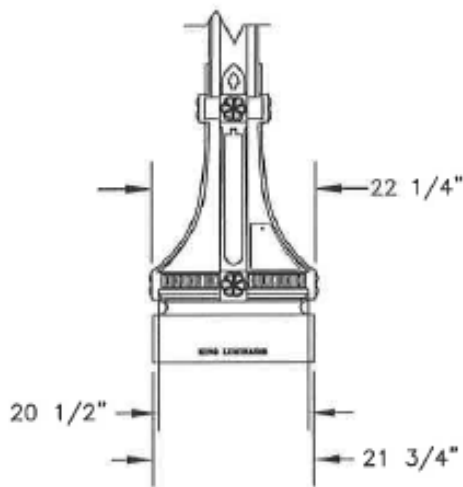
Luminaires

Select from King's vast array of historically accurate luminaires with unmatched modern photometric performance. To select the luminaire for your application, turn to the "Luminaire" section of our catalogue.

Decorative Arms

King offers a wide selection of single, twin and multiple arms, from finely detailed historically accurate reproductions to more recent custom designs. To specify, turn to "Arms and Capitals" section of our catalogue.

Anchor Bolt/Base Details



KING LUMINAIRE COMPANY INC.

9200 Energy Lane
Northport, Alabama, USA 35476-3442
Tel: (205) 339-0711 Fax: (205) 339-4840
Toll Free 1-800-435-6563

1153 State Route 46N
Jefferson, Ohio, USA 44047
Toll Free 1-800-268-7809 Fax: (905) 632-8116

14503 Wallick Road
Atchinson, Kansas 66002
Tel: (913) 255-3112 Fax: (913) 255-3124
Toll Free 1-800-837-1024

840 Walkers Line, P.O. Box 7
Burlington, Ontario, Canada L7R 3X9
Tel: (905) 632-9301 Fax: (905) 632-8116
Toll Free 1-800-268-7809