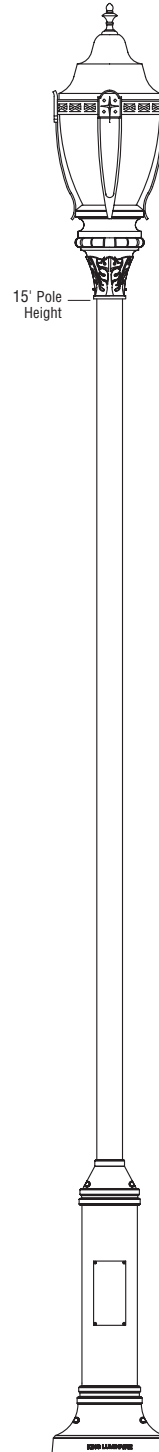
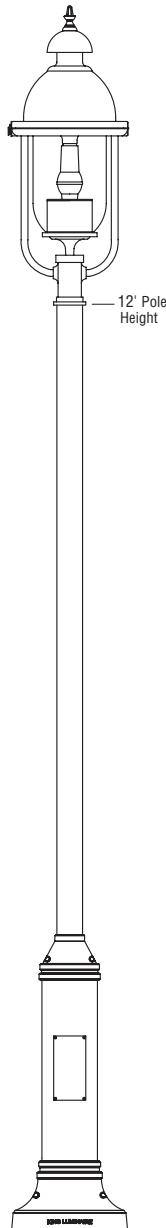
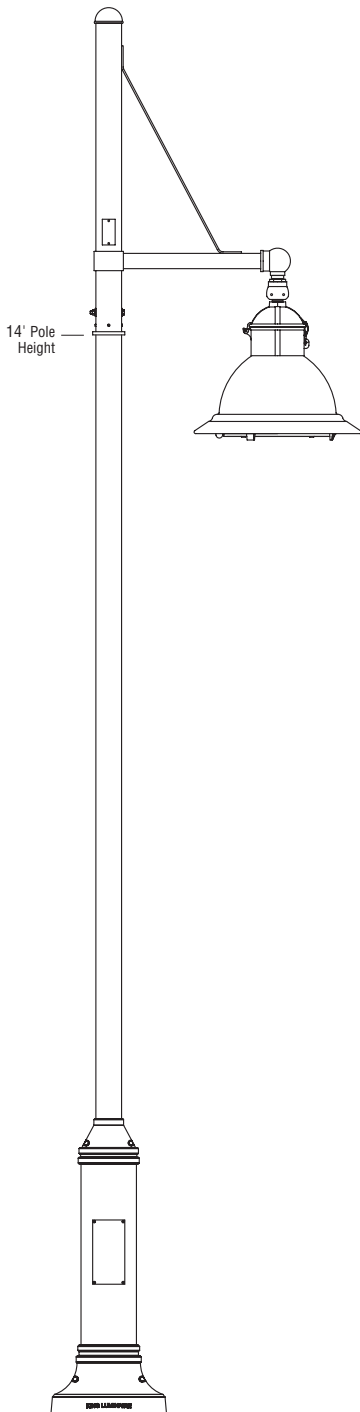


THE PORT CREDIT

M I L L E N N I U M S E R I E S

Nontapered Round Aluminum or Steel



The Port Credit offers the combination of a 4" OD nontapered pole welded to a 6 5/8" round base and two, two-piece decorative base covers, presenting an attractive yet cost effective decorative pole.

It is an inexpensive alternative to more ornate poles offering simple elegance to any streetscape especially when matched with one of King's decorative luminaires. either pendant or post top.

The Pole

The pole is available in a heavy walled seamless 4" round tube of extruded aluminum welded to a 6 5/8" round aluminum base or a one piece high tensile 4" round steel tube welded to a 6 5/8" round steel base with a 15" diameter base plate. Both shafts have a 9" x 4" handhole for wiring access 24" above the base plate.

Base Assembly

The two, two-piece decorative base covers are a heavy walled cast A319 aluminum. The halves are held together with stainless steel bolts neatly recessed into the base castings.

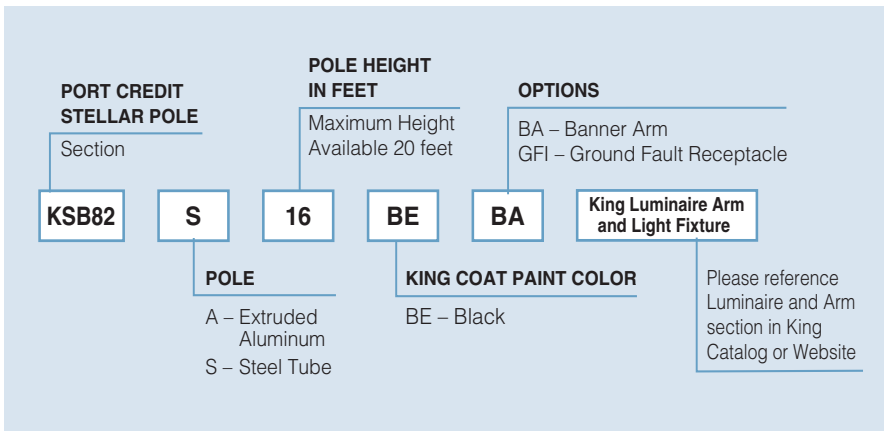
Finish

The pole base and base covers shall be powder coated using innovative **King Coat** paint systems to give a durable long lasting finish.

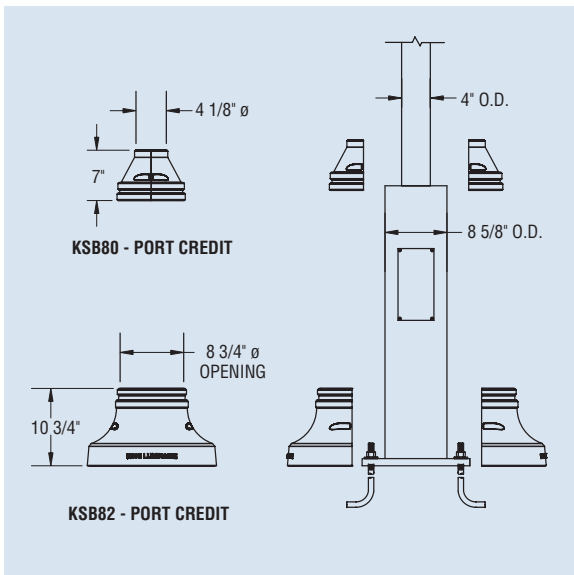


KING LUMINAIRE™

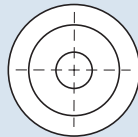
How to Catalog



Base Cover Details



Shaft Cross Section



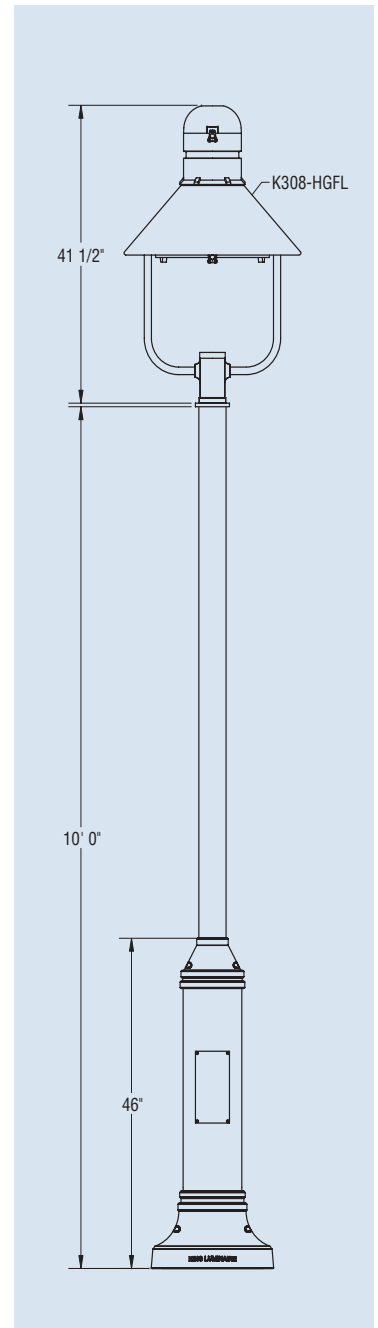
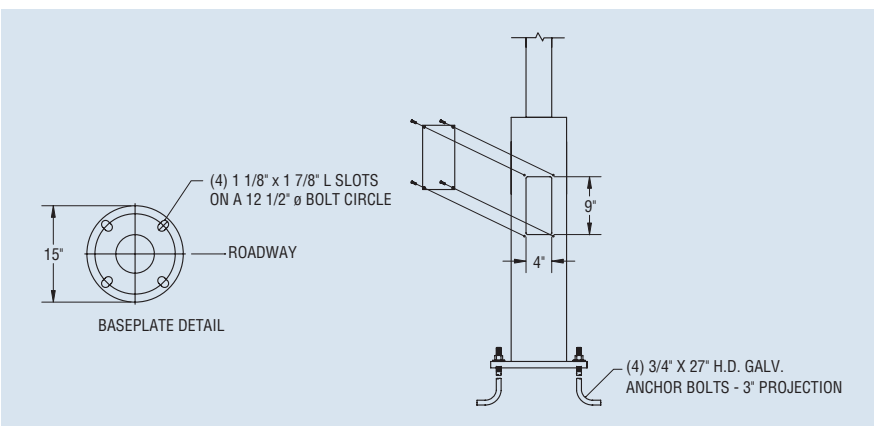
Luminaires

Select from King's vast array of historically accurate luminaires with unmatched modern photometric performance. To select the luminaire for your application, turn to the "Luminaire" section of our catalog.

Decorative Arms

King offers a wide selection of single, twin and multiple arms, from finely detailed historically accurate reproductions to more recent custom designs. To specify, turn to "Arms and Capitals" section of our catalog.

Anchor Bolt/Base Details



KING LUMINAIRE™

9200 Energy Lane
Northport, Alabama, USA 35476-3442
Tel: (205) 339-0711 Fax: (205) 339-4840
Toll Free 1-800-435-6563

1153 State Route 46N
Jefferson, Ohio, USA 44047
Toll Free 1-800-268-7809 Fax: (905) 632-8116

14503 Wallick Road
Atchison, Kansas 66002
Tel: (913) 255-3112 Fax: (913) 255-3124
Toll Free 1-800-837-1024

840 Walkers Line, P.O. Box 7
Burlington, Ontario, Canada L7R 3X9
Tel: (905) 632-9301 Fax: (905) 632-8116
Toll Free 1-800-268-7809