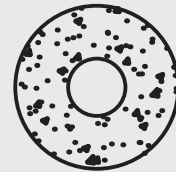


ROUND *tapered*

The most functional shape with regard to wind-loading, this round tapered pole is available in lengths up to 60' for many applications. Widely used in mold finish for power distribution and frequently the pole of choice for sports lighting applications, it is also in great demand for street and area lighting, both as a utility standard in mold finish and in etched decor for more decorative uses.



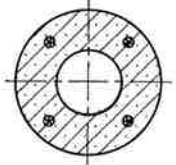
How to Catalog for Round Tapered Pole

Mounting Option		Finish		Arms* (Pendant Mount)	
E - Direct Embedment P - Base Plate	Prestressed	E - Etched Finish	Complete with (To be supplied by StressCrete)	100 - Top Mounted Tapered Elliptical Aluminum Arm	
Class A-K***	Round Cross Section			120 - Side Mounted Elliptical Aluminum Arm	
E 300	B P R G	E 10	C/W 140 30/30	100 GFI NA	
Height Overall Pole Length x 10 5' - 60'***	Provision for Electric Ground	Color** 10 - Midnight Lace 11 - Eclipse Black 30 - Salt & Pepper 40 - Pearl Gray 90 - Satuki bronze	Tenon (Post Top Mount) Specify Tenon Size For example 140 30/30 = 2 7/8" OD & 3" long	Options* DR - 2 Outlets GFI - Ground Fault 2 Outlet SR - 1 Outlet LRN - Ladder Rest BPC - Base Plate Cover AB - Anchor Bolts BA - Banner Arms FH - Flag Holders	Coating NA - Non Acrylic A - Acrylic AG - Anti Graffiti Coating****

* Consult website for full listings ** See decor colors on page 2 for full selection of colors
 *** Please consult factory for additional options.
 **** Anti Graffiti Coating is extra, consult factory for more details.

Round Class A - Light Duty Pole

Round, Class A - Light Duty Pole



Physical Details:

- Round symmetrically tapered shaft.
- 4.75" diameter pole tip.
- 0.18" per linear ft. taper increase.
- 600 lb. transverse bending strength (2 ft. from tip).
- Mold finish is standard but optional etched Decor colors are available.
- For various luminaire mounting details, please reference arms and accessories.

Direct Embedment

Pole Catalog Number	Pole Height Above Grade	Assumed Embedment Depth*	Overall Pole Length	Pole Butt Diameter (Inches)	Ultimate Ground-Line Moment (ft. lbs.**)	Nominal Weight (lbs.)
E-150-APR-G	11' 0"	4' 0"	15' 0"	7.45	5400	430
E-175-APR-G	13' 6"	4' 0"	17' 6"	7.90	6500	550
E-200-APR-G	16' 0"	4' 0"	20' 0"	8.35	8400	670
E-225-APR-G	18' 6"	4' 0"	22' 6"	8.80	9900	780
E-250-APR-G	20' 0"	5' 0"	25' 0"	9.25	10800	910
E-275-APR-G	22' 6"	5' 0"	27' 6"	9.70	12300	1050
E-300-APR-G	25' 0"	5' 0"	30' 0"	10.15	13800	1200
E-325-APR-G	27' 0"	5' 6"	32' 6"	10.60	15000	1375
E-350-APR-G	29' 6"	5' 6"	35' 0"	11.05	16500	1540
E-375-APR-G	32' 0"	5' 6"	37' 6"	11.50	18000	1710
E-395-APR-G	33' 5"	6' 0"	39' 5"	11.95	19200	1890

Base Plate

Pole Catalog Number	Pole Height Above Grade	Pole Butt Diameter (Inches)	Base Plate Size (Inches)	Bolt Circle*** (Inches)	Ultimate Ground-Line Moment (ft. lbs.**)	Nominal Weight (lbs.)
P-150-APR-G	15' 0"	7.45	11.5 x 11.5	11.5	7800	475
P-175-APR-G	17' 6"	7.90	11.5 x 11.5	11.5	9300	590
P-200-APR-G	20' 0"	8.35	11.5 x 11.5	11.5	10800	710
P-225-APR-G	22' 6"	8.80	14.5 x 14.5	17	12300	860
P-250-APR-G	25' 0"	9.25	14.5 x 14.5	17	13800	990
P-275-APR-G	27' 6"	9.70	14.5 x 14.5	17	15300	1125
P-300-APR-G	30' 0"	10.15	14.5 x 14.5	17	16800	1270
P-325-APR-G	32' 6"	10.60	14.5 x 14.5	17	18300	1455
P-350-APR-G	35' 0"	11.05	14.5 x 14.5	17	19800	1630

* Recommended burial depth for normal soils. Where large imbalanced loads are applied or soil strength is questionable, deeper burial may be necessary.

** Ultimate Ground Line Moment = Height above grade minus 2 ft x transverse bending strength.

*** Anchor bolt information - 11.5" BC uses 3/4 x 27" anchor bolts, 17" BC uses 1" x 36" anchor bolts.

Class - EPA Loading

	Pole Height Above Grade	Post Top & Bal. Loads	Imbalanced Loads		
			4' arm	6' arm	8' arm
90 mph	20	16	14 1/4	13	11 1/2
	25	14 3/4	13 1/4	12 1/4	11 1/4
	30	13 1/2	12 1/4	11 1/2	10 1/2
	35	12 1/2	11 1/2	10 3/4	10
100 mph	20	12 1/2	11 1/4	10 1/4	9
	25	11 1/2	10 1/2	9 3/4	8 3/4
	30	10 1/2	9 3/4	9	8 1/4
	35	9 3/4	8 3/4	8 1/4	7 3/4
110 mph	20	10 1/4	9	8 1/4	7 1/4
	25	9 1/4	8 1/2	7 3/4	7
	30	8 1/2	7 3/4	7 1/4	6 1/2
	35	7 3/4	7	6 1/2	6
120 mph	20	8 1/2	7 1/2	6 3/4	6
	25	7 1/2	6 3/4	6 1/4	5 3/4
	30	6 3/4	6 1/4	5 3/4	5 1/4
	35	6	5 1/2	5 1/4	4 3/4
130 mph	20	7	6 1/4	5 3/4	4 3/4
	25	6 1/4	5 3/4	5 1/4	4 3/4
	30	5 1/2	5	4 1/2	4
	35	4 1/2	4	3 3/4	3 1/4
140 mph	20	6	5 1/4	4 3/4	4
	25	5	4 1/2	4 1/4	3 3/4
	30	4 1/4	3 3/4	3 1/2	3
	35	3 1/4	3	2 1/2	2 1/4
150 mph	20	5	4 1/4	3 3/4	3 1/4
	25	4	3 1/2	3 1/4	2 3/4
	30	3 1/4	2 3/4	2 1/2	2 1/4
	35	2 1/4	2	1 3/4	1 1/2

Decor Colors & Finishes

Color	Eclipse (Black)	Ash White	Pearl Gray	Dusty Rose	Aztec Jade (Green)	Desert Sand (Buff)	Saluki Bronze (Brown)
Finish							
Etched Finish	E11	E35	E40	E41	E51	E70	E90

Mold finish, catalog #M00, is standard on all poles. Decor colors and finishes must be specified. A clear acrylic coating is standard on all Decor poles.

◀ When selecting a pole strength class, care must be taken to ensure it will carry the desired EPA loading of arm and luminaire for the wind conditions at your location. If you are unsure of your location's wind condition, please reference Isotach Map in General and Technical section.



Streetlighting Arms and Accessories

Spun concrete poles can be adapted to fit most arms or accessories. Our standards are detailed in the "Arms and Accessories" section of this catalog. If a specific item is not shown, please call your local representative or our sales office.

When requesting StressCrete to supply arms, please ensure compatibility with luminaire.

Finishes

Mold finish is standard on all poles. If a Decor or custom finish is desired it must be specified in the pole catalog number. Please see lower right front page for information, or turn to Decor section.

Standard Openings and Handholes

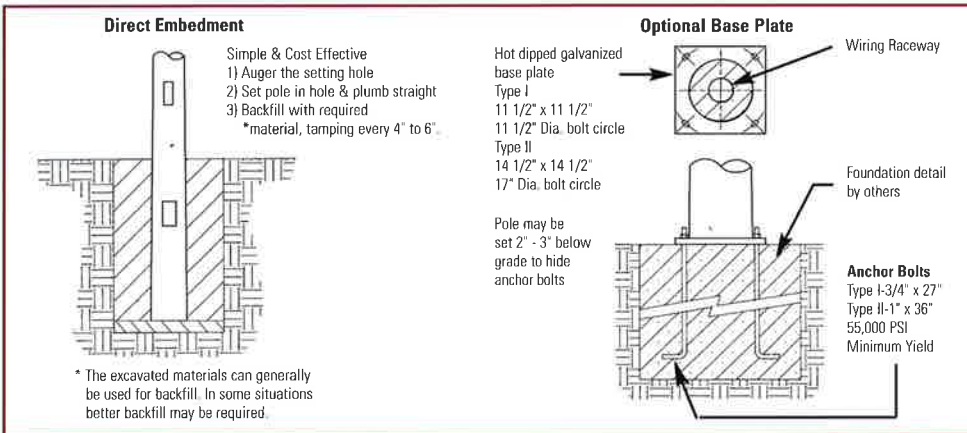
(For more detailed information, please reference General and Technical section.)

- 2 1/2" x 8" is the standard handhole box located 18" above grade. Both it and the tight fitting coverplate are available in a rugged high density cast zinc.
- Standard coverplate fasteners are 1/4" stainless steel with either Allen (hex) head for the United States or black Robertson #3 (square) head in Canada. Tamperproof and non-standard fasteners are available but must be specified.
- Standard above grade wiring apertures vary with arm selection but are generally 1 1/4" diameter holes or 1 1/2" x 3" openings. Below grade apertures are 2 1/2" x 5" double openings 18" below grade in line with handhole.
- Non-standard sizes can be made available on request; please contact our sales office.
- Galvanized steel or zinc inserts are available in 1/8" increments from 1/4" through 3/4".
- Through holes are nominal 1/2", 3/4", or 1".

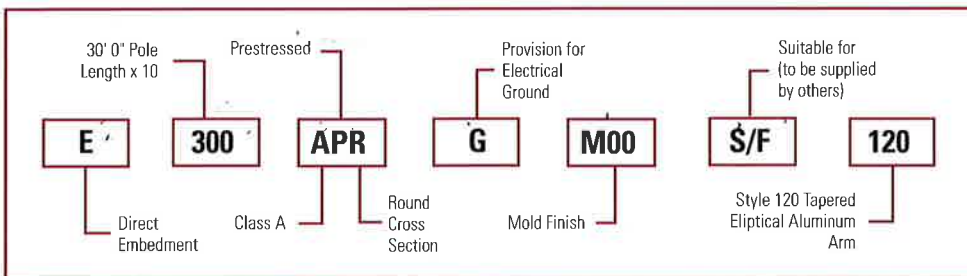
Electrical Grounding

The last letter of our pole catalog number "G" specifies that the pole will be supplied complete with a #6 stranded copper ground wire. When properly connected, this will electrically ground the pole. If pole is not to be electrically grounded, simply delete the letter "G" from the catalog number.

Footings

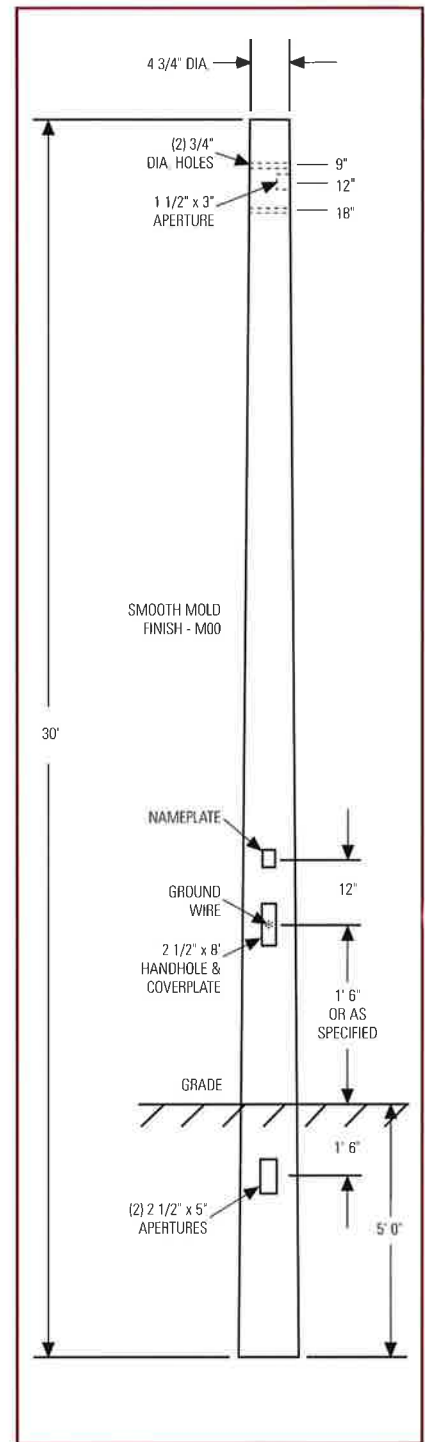


Typical Catalog Numbers



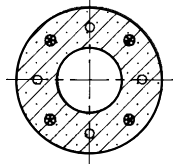
Typical for all types:

1. Select footing type - direct embedment or base plate.
2. Select pole length - if direct embedded allow for embedment length.
3. Select shape and strength of pole.
4. If required, select provision for electrical grounding of pole.
5. If desired, select Decor color and finish.
6. Select luminaire mounting style - see arms and accessories.



Round Class B - Medium Duty Pole

Round, Class B - Medium Duty Pole



Physical Details:

- Round symmetrically tapered shaft.
- 4.75" diameter pole tip.
- 0.18" per linear ft. taper increase.
- 900 lb. transverse bending strength (2 ft. from tip).
- Mold finish is standard but optional etched Decor colors are available.
- For various luminaire mounting details, please reference arms and accessories.

Direct Embedment

Pole Catalog Number	Pole Height Above Grade	Assumed Embedment Depth*	Overall Pole Length	Pole Butt Diameter (Inches)	Ultimate Ground-Line Moment (ft. lbs.**)	Nominal Weight (lbs.)
E-250-BPR-G	20' 0"	5' 0"	25' 0"	9.25	16200	960
E-275-BPR-G	22' 6"	5' 0"	27' 6"	9.70	18450	1110
E-300-BPR-G	25' 0"	5' 0"	30' 0"	10.15	20700	1265
E-325-BPR-G	27' 0"	5' 6"	32' 6"	10.60	22500	1430
E-350-BPR-G	29' 6"	5' 6"	35' 0"	11.05	24750	1605
E-375-BPR-G	32' 0"	5' 6"	37' 6"	11.50	27000	1820
E-400-BPR-G	34' 0"	6' 0"	40' 0"	11.95	28800	2035
E-425-BPR-G	36' 6"	6' 0"	42' 6"	12.40	31050	2265
E-450-BPR-G	39' 0"	6' 0"	45' 0"	12.85	33300	2505

Base Plate

Pole Catalog Number	Pole Height Above Grade	Pole Butt Diameter (Inches)	Base Plate Size (Inches)	Bolt Circle*** (Inches)	Ultimate Ground-Line Moment (ft. lbs.**)	Nominal Weight (lbs.)
P-250-BPR-G	25' 0"	9.25	14.5 x 14.5	17	20700	1040
P-275-BPR-G	27' 6"	9.70	14.5 x 14.5	17	22950	1185
P-300-BPR-G	30' 0"	10.15	14.5 x 14.5	17	25200	1340
P-325-BPR-G	32' 6"	10.60	14.5 x 14.5	17	27450	1505
P-350-BPR-G	35' 0"	11.05	14.5 x 14.5	17	29700	1685
P-375-BPR-G	37' 6"	11.50	14.5 x 14.5	17	31950	1900
P-400-BPR-G	40' 0"	11.95	14.5 x 14.5	17	34200	2130

* Recommended burial depth for normal soils. Where large imbalanced loads are applied or soil strength is questionable, deeper burial may be necessary.

** Ultimate Ground Line Moment = Height above grade minus 2 ft x transverse bending strength.

***Anchor bolt information - 17" BC uses 1" x 36" anchor bolts.

Class - EPA Loading

	Pole Height Above Grade	Post Top & Bal. Loads	Imbalanced Loads		
			4' arm	6' arm	8' arm
90 mph	20	26	24 1/2	23 1/4	21 1/2
	25	24 1/2	23	22 1/4	21
	30	23	22	21 1/4	20 1/4
	35	21 1/4	20 3/4	20 1/4	19 1/4
	40	20 3/4	19 3/4	19 1/4	18 1/2
100 mph	20	21	19 1/2	18 1/2	17 1/4
	25	19 1/2	18 1/2	17 3/4	16 3/4
	30	18 1/4	17 1/2	16 3/4	16
	35	17 1/4	16 1/2	16	15 1/4
	40	16 1/4	15 1/2	15 1/4	14 1/2
110 mph	20	17	16	15	14
	25	16	15	14 1/4	13 1/4
	30	14 3/4	14	13 1/2	13
	35	14	13 1/4	12 3/4	12 1/4
	40	13	12 1/2	12 1/4	11 3/4
120 mph	20	14 1/4	13 1/4	12 1/2	11 3/4
	25	13 1/4	12 1/4	11 3/4	11 1/4
	30	12 1/4	11 1/2	11 1/4	10 3/4
	35	11 1/2	10 3/4	10 1/2	10
	40	10 1/4	9 3/4	9 1/2	9
130 mph	20	12	11 1/4	10 1/2	9 3/4
	25	11	10 1/4	10	9 1/4
	30	10	9 1/2	9 1/4	8 3/4
	35	9	8 1/2	8 1/4	7 3/4
	40	8	7 1/2	7 1/4	7
140 mph	20	10	9 1/4	8 3/4	8 1/4
	25	9 1/4	8 1/2	8 1/4	7 3/4
	30	8 1/4	7 3/4	7 1/2	7
	35	7 1/4	6 3/4	6 1/2	6 1/4
	40	6 1/4	5 3/4	5 1/2	5 1/4
150 mph	20	8 1/2	7 3/4	7 1/4	6 3/4
	25	7 1/2	7	6 3/4	6 1/4
	30	6 3/4	6 1/4	6	5 1/2
	35	5 3/4	5 1/4	5	4 3/4
	40	4 3/4	4 1/4	4 1/4	4

Decor Colors & Finishes

Color	Eclipse (Black)	Ash White	Pearl Gray	Dusty Rose	Aztec Jade (Green)	Desert Sand (Buff)	Saluki Bronze (Brown)
Finish	E11	E35	E40	E41	E51	E70	E90
Etched Finish							

Mold finish, catalog #M00, is standard on all poles. Decor colors and finishes must be specified. A clear acrylic coating is standard on all Decor poles.

◀ When selecting a pole strength class, care must be taken to ensure it will carry the desired EPA loading of arm and luminaire for the wind conditions at your location. If you are unsure of your location's wind condition, please reference Isotach Map in General and Technical section.



Streetlighting Arms and Accessories

Spun concrete poles can be adapted to fit most arms or accessories. Our standards are detailed in the "Arms and Accessories" section of this catalog. If a specific item is not shown, please call your local representative or our sales office.

When requesting StressCrete to supply arms, please ensure compatibility with luminaire.

Finishes

Mold finish is standard on all poles. If a Decor or custom finish is desired it must be specified in the pole catalog number. Please see lower right front page for information, or turn to Decor section.

Standard Openings and Handholes

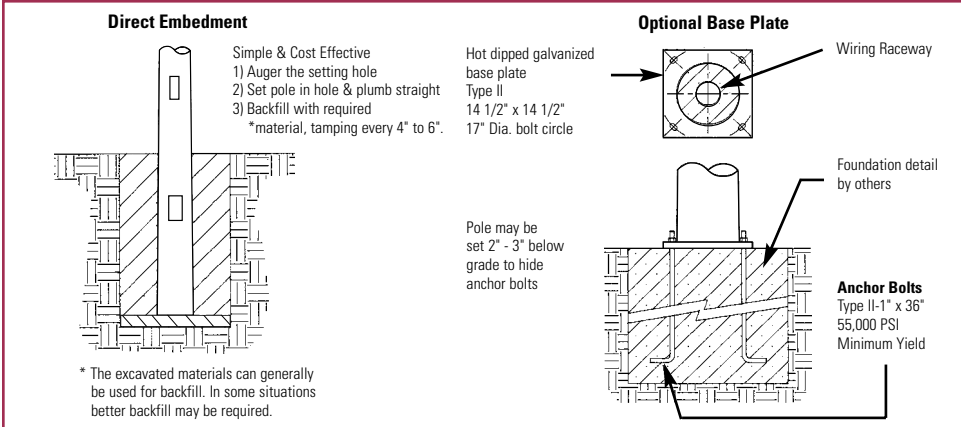
(For more detailed information, please reference General and Technical section.)

- 2 1/2" x 8" is the standard handhole box located 18" above grade. Both it and the tight fitting coverplate are available in non-metallic, non-conductive injection molded material or a rugged high density cast zinc.
- Standard coverplate fasteners are 1/4" stainless steel with either Allen (hex) head for the United States or black Robertson #3 (square) head in Canada. Tamperproof and non-standard fasteners are available but must be specified.
- Standard above grade wiring apertures vary with arm selection but are generally 1 1/4" diameter holes or 1 1/2" x 3" openings. Below grade apertures are 2 1/2" x 5" double openings 18" below grade in line with handhole.
- Non-standard sizes can be made available on request; please contact our sales office.
- Galvanized steel or zinc inserts are available in 1/8" increments from 1/4" through 3/4".
- Through holes are nominal 1/2", 3/4", or 1".

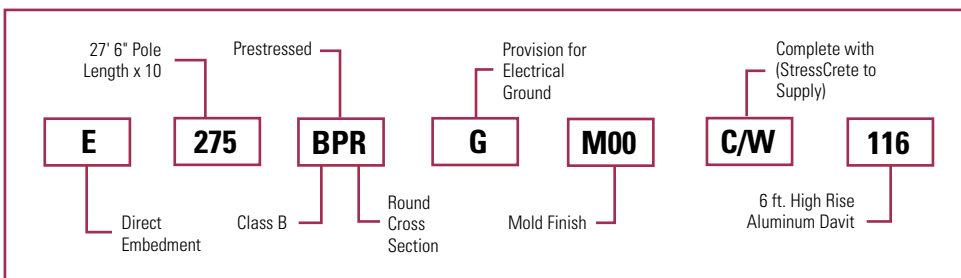
Electrical Grounding

The last letter of our pole catalog number "G" specifies that the pole will be supplied complete with a #6 stranded copper ground wire. When properly connected, this will electrically ground the pole. If pole is not to be electrically grounded, simply delete the letter "G" from the catalog number.

Footings

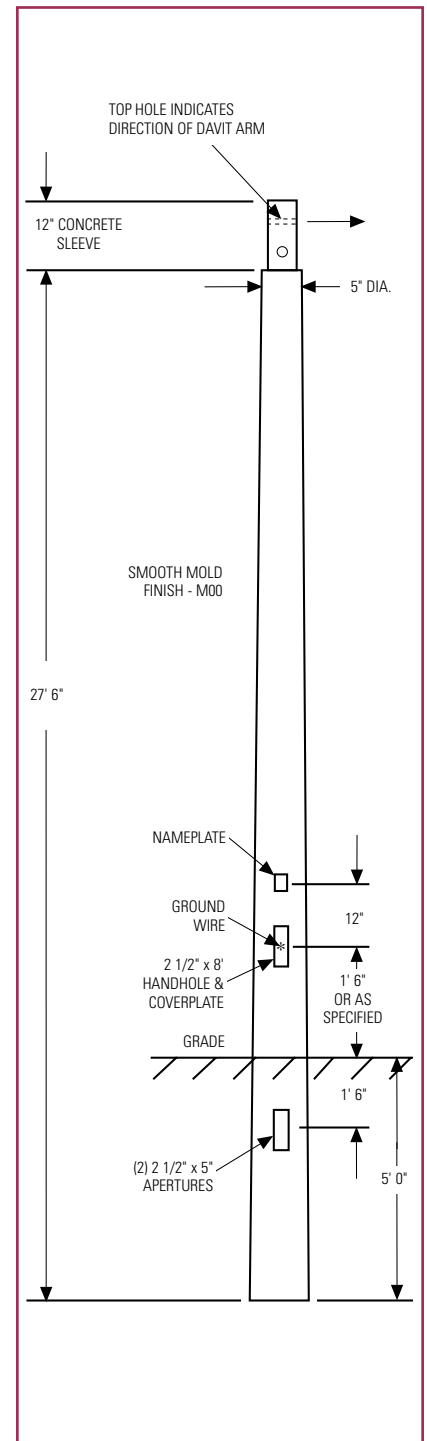


Typical Catalog Numbers



Typical for all types:

1. Select footing type - direct embedment or base plate.
2. Select pole length - if direct embedded allow for embedment length.
3. Select shape and strength of pole.
4. If required, select provision for electrical grounding of pole.
5. If desired, select Decor color and finish.
6. Select luminaire mounting style - see arms and accessories.

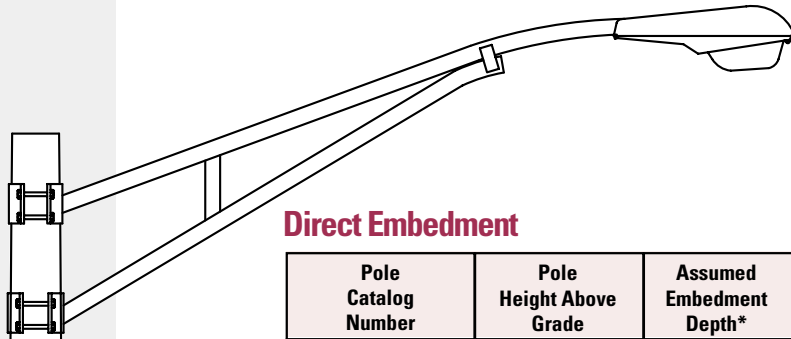
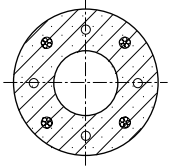


Round Class C - Heavy Duty Pole

Round, Class C - Heavy Duty Pole

Physical Details:

- Round symmetrically tapered shaft.
- 6.5" diameter pole tip.
- 0.18" per linear ft. taper increase.
- 1200 lb. transverse bending strength (2 ft. from tip).
- Mold finish is standard but optional etched Decor colors are available.
- For various luminaire mounting details, please reference arms and accessories.



Direct Embedment

Pole Catalog Number	Pole Height Above Grade	Assumed Embedment Depth*	Overall Pole Length	Pole Butt Diameter (Inches)	Ultimate Ground-Line Moment (ft. lbs.**)	Nominal Weight (lbs.)
E-300-CPR-G	25' 0"	5' 0"	30' 0"	11.90	27600	1650
E-325-CPR-G	27' 0"	5' 6"	32' 6"	12.35	30000	1855
E-350-CPR-G	29' 6"	5' 6"	35' 0"	12.80	33000	2050
E-375-CPR-G	32' 0"	5' 6"	37' 6"	13.25	36000	2295
E-400-CPR-G	34' 0"	6' 0"	40' 0"	13.70	38400	2655
E-425-CPR-G	36' 6"	6' 0"	42' 6"	14.15	41400	2940
E-450-CPR-G	39' 0"	6' 0"	45' 0"	14.60	44400	3235
E-475-CPR-G	40' 6"	7' 0"	47' 6"	15.05	46200	3545
E-500-CPR-G	43' 0"	7' 0"	50' 0"	15.50	49200	3870

Base Plate

Pole Catalog Number	Pole Height Above Grade	Pole Butt Diameter (Inches)	Base Plate Size (Inches)	Bolt Circle*** (Inches)	Ultimate Ground-Line Moment (ft. lbs.**)	Nominal Weight (lbs.)
P-300-CPR-G	30' 0"	11.90	14.5 x 14.5	17	33600	1730
P-325-CPR-G	32' 6"	12.35	14.5 x 14.5	17	36600	1940
P-350-CPR-G	35' 0"	12.80	14.5 x 14.5	17	39600	2145
P-375-CPR-G	37' 6"	13.25	14.5 x 14.5	17	42600	2390
P-400-CPR-G	40' 0"	13.70	14.5 x 14.5	17	45600	2750
P-425-CPR-G	42' 6"	14.15	16 x 16	18	48600	3065
P-450-CPR-G	45' 0"	14.60	16 x 16	18	51600	3360

* Recommended burial depth for normal soils. Where large imbalanced loads are applied or soil strength is questionable, deeper burial may be necessary.

** Ultimate Ground Line Moment = Height above grade minus 2 ft x transverse bending strength.

*** Anchor bolt information - 17" and 18" BC'S use 1" x 36" anchor bolts.

Class - EPA Loading

	Pole Height Above Grade	Post Top & Bal. Loads	Imbalanced Loads			
			8' arm	10 arm	12' arm	15' arm
90 mph	30	33	30	28 3/4	27 1/4	24 3/4
	35	31 1/2	29	28	26 3/4	24 1/2
	40	30	28	27	26	24 1/4
	45	28 1/2	26 3/4	26	25	23 1/2
100 mph	30	26 1/4	24	22 1/4	21 1/4	19
	35	24 3/4	22 3/4	21 1/2	20 1/2	18 3/4
	40	23 1/4	21 1/2	20 3/4	19 3/4	18 1/4
	45	21 3/4	20 1/4	19 1/2	19	17 1/2
110 mph	30	21	19	17 1/2	16 1/2	14 3/4
	35	19 1/2	18	16 3/4	16	14 1/2
	40	18	16 3/4	16	15 1/4	14
	45	16 3/4	15 1/2	15	14 1/4	13 1/4
120 mph	30	17	15 1/4	13 3/4	13	11 1/2
	35	15 1/2	14 1/4	13	12 1/4	11 1/4
	40	14 1/4	13	12 1/4	11 3/4	10 3/4
	45	12 3/4	11 3/4	11 1/4	10 3/4	10
130 mph	30	13 3/4	12 1/4	11	10 1/4	9
	35	12 1/2	11 1/4	10 1/4	9 3/4	8 1/2
	40	11	10	9 1/2	9	8
	45	9 3/4	9	8 1/2	8 1/4	7 1/4
140 mph	30	11 1/4	10	8 3/4	8	7
	35	10	9	8	7 1/2	6 1/4
	40	8 3/4	9 3/4	7 1/4	6 3/4	6
	45	7 1/2	6 3/4	6 1/4	6	5 1/4
150 mph	30	9	8	6 3/4	6 1/4	5 1/2
	35	8	7	6 1/4	5 3/4	5
	40	6 3/4	6	5 1/2	5	5 1/2
	45	5 1/2	4 3/4	4 1/2	4 1/4	3 3/4

Decor Colors & Finishes

Color	Eclipse (Black)	Ash White	Pearl Gray	Dusty Rose	Aztec Jade (Green)	Desert Sand (Buff)	Saluki Bronze (Brown)
Finish	E11	E35	E40	E41	E51	E70	E90
Etched Finish	E11	E35	E40	E41	E51	E70	E90

Mold finish, catalog #M00, is standard on all poles. Decor colors and finishes must be specified. A clear acrylic coating is standard on all Decor poles.

◀ When selecting a pole strength class, care must be taken to ensure it will carry the desired EPA loading of arm and luminaire for the wind conditions at your location. If you are unsure of your location's wind condition, please reference Isotach Map in General and Technical section.



Streetlighting Arms and Accessories

Spun concrete poles can be adapted to fit most arms or accessories. Our standards are detailed in the "Arms and Accessories" section of this catalog. If a specific item is not shown, please call your local representative or our sales office.

When requesting StressCrete to supply arms, please ensure compatibility with luminaire.

Finishes

Mold finish is standard on all poles. If a Decor or custom finish is desired it must be specified in the pole catalog number. Please see lower right front page for information, or turn to Decor section.

Standard Openings and Handholes

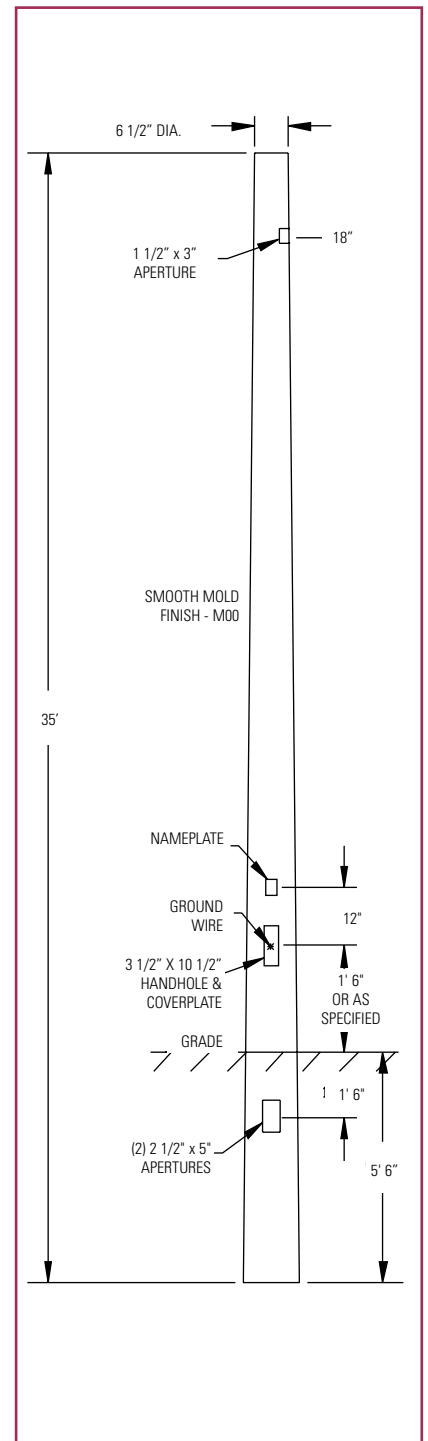
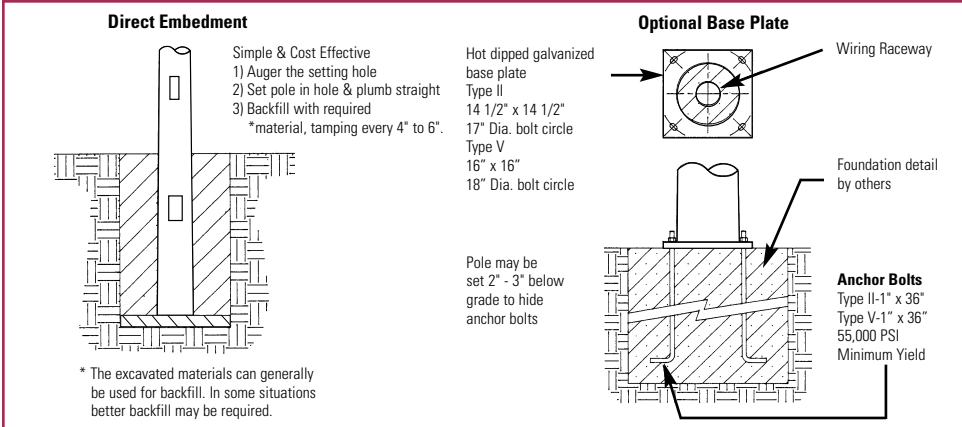
(For more detailed information, please reference General and Technical section.)

- 2 1/2" x 8" is the standard handhole box located 18" above grade. Both it and the tight fitting coverplate are available in non-metallic, non-conductive injection molded material or a rugged high density cast zinc.
- Standard coverplate fasteners are 1/4" stainless steel with either Allen (hex) head for the United States or black Robertson #3 (square) head in Canada. Tamperproof and non-standard fasteners are available but must be specified.
- Standard above grade wiring apertures vary with arm selection but are generally 1 1/4" diameter holes or 1 1/2" x 3" openings. Below grade apertures are 2 1/2" x 5" double openings 18" below grade in line with handhole.
- Non-standard sizes can be made available on request; please contact our sales office.
- Galvanized steel or zinc inserts are available in 1/8" increments from 1/4" through 3/4".
- Through holes are nominal 1/2", 3/4", or 1".

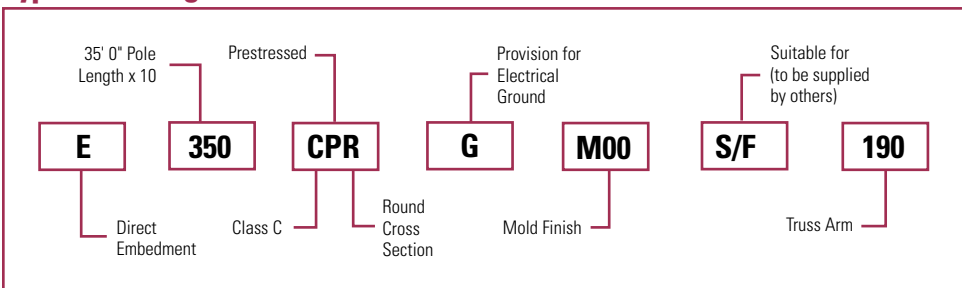
Electrical Grounding

The last letter of our pole catalog number "G" specifies that the pole will be supplied complete with a #6 stranded copper ground wire. When properly connected, this will electrically ground the pole. If pole is not to be electrically grounded, simply delete the letter "G" from the catalog number.

Footings



Typical Catalog Numbers



Typical for all types:

1. Select footing type - direct embedment or base plate.
2. Select pole length - if direct embedded allow for embedment length.
3. Select shape and strength of pole.
4. If required, select provision for electrical grounding of pole.
5. If desired, select Decor color and finish.
6. Select luminaire mounting style - see arms and accessories.

