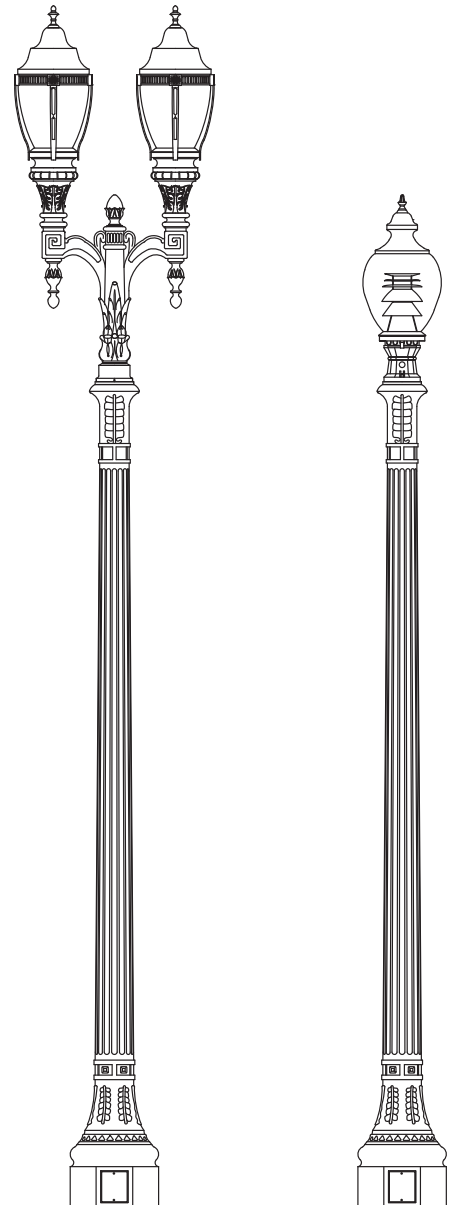




The Americana Series

THE CALIFORNIA

One of our most ornate concrete poles, the California pole is truly a work of art. This embellished ornamental pole with hints of Greek styling offers a 15 fluted shaft with very high definition elements including leaf and floral details. Available in three mounting configurations, it will be a great fit for streetscapes or residential applications. The California pole is available in an above grade height of 15' 1.5".



Specification Details

Description	Catalog Number	"A" Pole Height Above Grade	"D" Tip Dimension	"B" Direct Burial Length & "F" Dia.	Pole Weight Direct Burial	Pole Weight Base Plate
California KCA	KCA15	15' 1 1/2"	11"	4' 6" x 10"	1100 lbs	900 lbs

Other heights may be available. Contact Factory.

How to Catalog for California Concrete Pole

Pole Style	Finish	Footing Details	Coating
KCA	E – Etched Finish	DB – Direct Buried FBP – Flush Baseplate SBP – Stub Baseplate	NA – Non Acrylic A – Acrylic AG – Anti Graffiti Coating***
KCA	E	DB	NA
15'	40	140 30/30	
Height	Color**	Tenon (Post Top Mount)	Options*
15' 1.5"	10 – Midnight Lace 11 – Eclipse Black 30 – Salt & Pepper 40 – Pearl Gray 90 – Saluki bronze	Specify Tenon Size For example 140 30/30 = 2 7/8" OD & 3" long	DR – Duplex Receptacle GFI – Ground Fault Duplex Receptacle SR – 1 Outlet LRN – Ladder Rest BPC – Base Plate Cover AB – Anchor Bolts BA – Banner Arms (clamp on only) FH – Flag Holders (clamp on only)

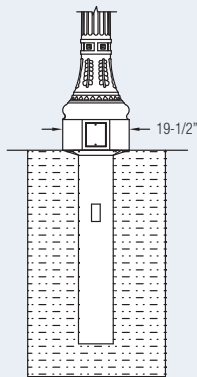
* Consult website for full listings. ** See decolors on page 2 for full selection of colors.
***Anti Graffiti Coating is extra, consult factory for more details.

Footing Details

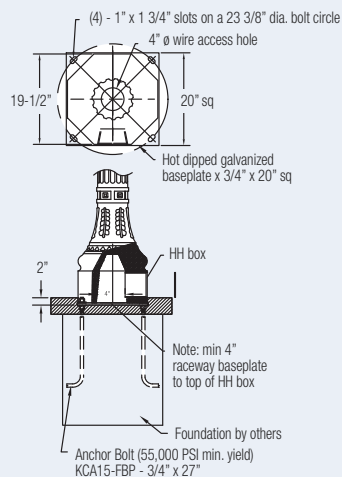
Direct Buried

(Simple and Cost Effective)

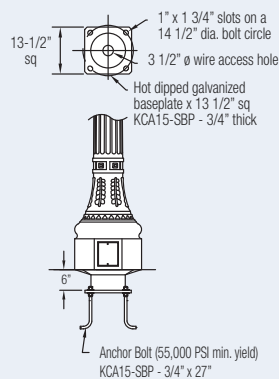
1. Auger the setting hole.
2. Set pole in hole and plumb straight.
3. Backfill* with required backfill tamping every 4" to 6".



Baseplate Option 1: FBP



Baseplate Option 2: SBP



*Generally the excavated material can be used for backfill, in some situations better backfill may be required.

