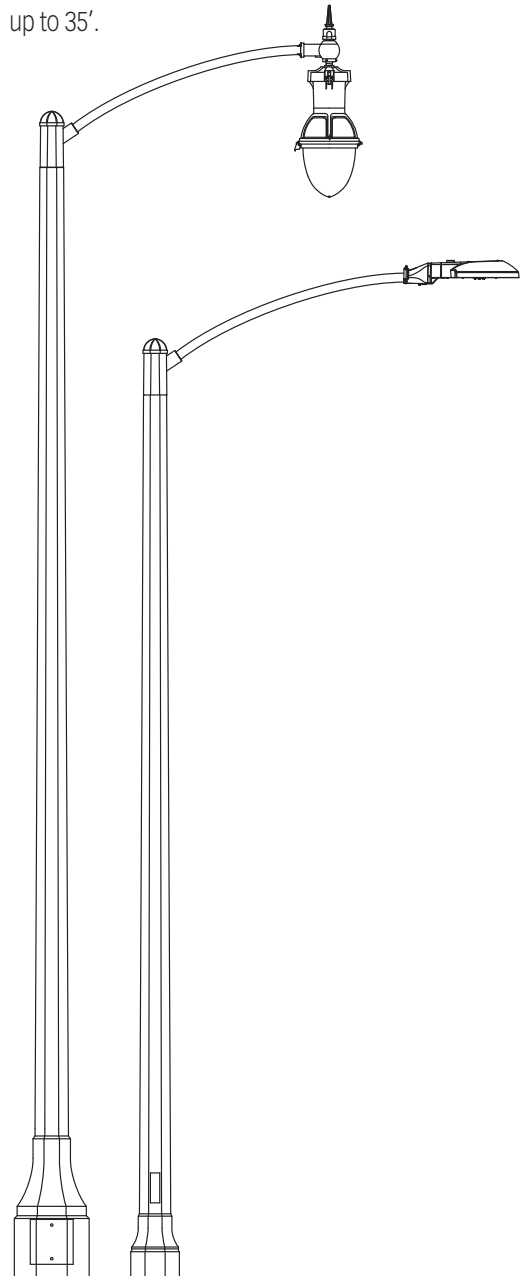


THE CENTENNIAL

The classic lines of both the Centennial C1 and Centennial C2 make this family suitable for many applications and the perfect fit for many of King Luminaire's decorative post top and pendant luminaires. The C1 Centennial offers a stepped Octagonal 13" base with a tapered Octagonal pole shaft. It is available in lengths up to 30'. The C2 Centennial is slightly larger and available in lengths up to 35'.



Specification Details

Description	Catalog Number	"A" Pole Height Above Grade	"D" Tip Dimension	"B" Direct Burial Length & "F" Dia.	Pole Weight Direct Burial	Pole Weight Base Plate
Centennial C1	KCT1-12	12' 0"	7"	4' 6" x 10"	1050 lbs	850 lbs
Centennial C1	KCT1-15	15' 0"	6 3/4"	4' 6" x 10"	1150 lbs	950 lbs
Centennial C1	KCT1-18	18' 0"	6 3/8"	5' 0" x 10"	1280 lbs	1050 lbs
Centennial C1	KCT1-20	20' 0"	6 1/8"	5' 0" x 10"	1380 lbs	1150 lbs
Centennial C1	KCT1-22	22' 0"	5 7/8"	5' 0" x 10"	1480 lbs	1250 lbs
Centennial C1	KCT1-25	25' 0"	5 1/2"	5' 0" x 10"	1600 lbs	1370 lbs
Centennial C1	KCT1-30	30' 0"	5"	5' 0" x 10"	1750 lbs	1520 lbs
Description	Catalog Number	"A" Pole Height Above Grade	"D" Tip Dimension	"B" Direct Burial Length & "F" Dia.	Pole Weight Direct Burial	Pole Weight Base Plate
Centennial C2	KCT2-12	12' 0"	7 7/8"	N/A	N/A	1200 lbs
Centennial C2	KCT2-15	15' 0"	7 1/2"	N/A	N/A	1300 lbs
Centennial C2	KCT2-18	18' 0"	7 1/8"	N/A	N/A	1400 lbs
Centennial C2	KCT2-20	20' 0"	7"	N/A	N/A	1500 lbs
Centennial C2	KCT2-22	22' 0"	6 3/4"	N/A	N/A	1600 lbs
Centennial C2	KCT2-25	25' 0"	6 3/8"	N/A	N/A	1700 lbs
Centennial C2	KCT2-30	30' 0"	5 3/4"	N/A	N/A	1800 lbs
Centennial C2	KCT2-35	35' 0"	5 1/8"	N/A	N/A	1900 lbs

How to Catalog for Centennial C1 & C2 Concrete Pole

Pole Style

KCT1 ¹
KCT2 ²

KCT1 **30'**

Height

12' - 35'

Finish

E – Etched Finish
S – Polished Finish

E **40**

Color**

10 – Midnight Lace
11 – Eclipse Black
30 – Salt & Pepper
40 – Pearl Gray
90 – Saluki bronze

Footing Details

DB – Direct Buried ³
FBP – Flush Baseplate
SBP – Stub Baseplate ³

DB **140 30/30**

Tenon (Post Top Mount)

Specify Tenon Size

For example 140 30/30
= 2 7/8" OD & 3" long

Coating

NA – Non Acrylic
A – Acrylic
AG – Anti Graffiti Coating***

GFI **NA**

Options*

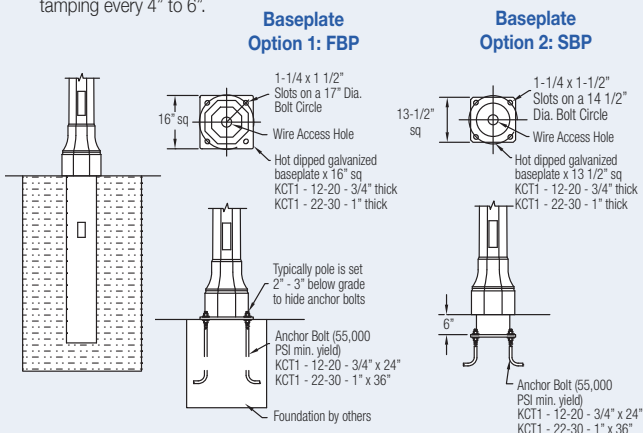
DR – Duplex Receptacle
GFI – Ground Fault Duplex Receptacle
SR – 1 Outlet
LRN – Ladder Rest
BPC – Base Plate Cover
AB – Anchor Bolts
BA – Banner Arms
FH – Flag Holders

* Consult website for full listings. ** See decor colors on page 2 for full selection of colors.
***Anti Graffiti Coating is extra, consult factory for more details.
¹ 12' - 30' ² 12' - 35' ³ only available for C1

Footing Details - Centennial C1

Direct Buried (Simple and Cost Effective)

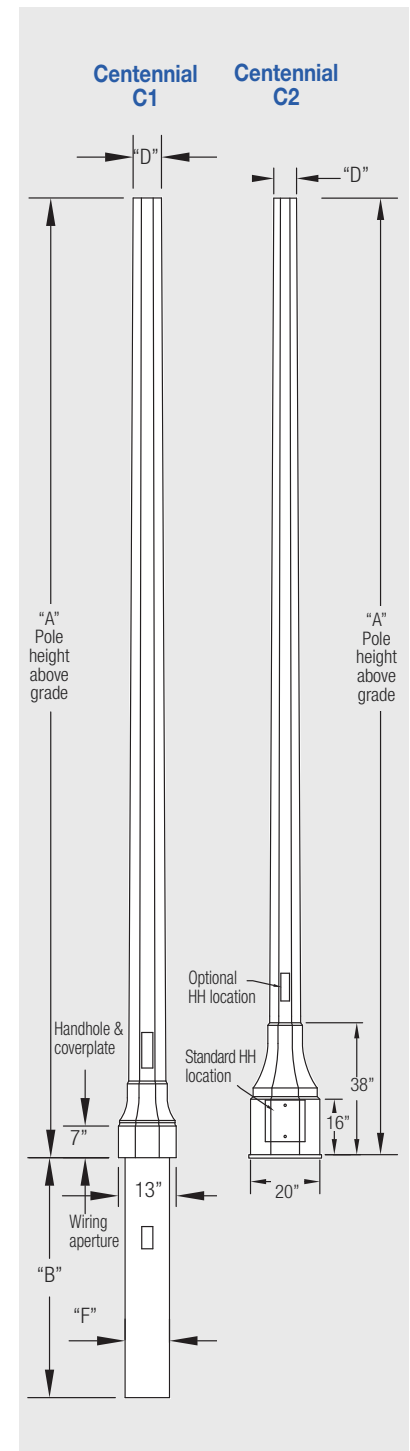
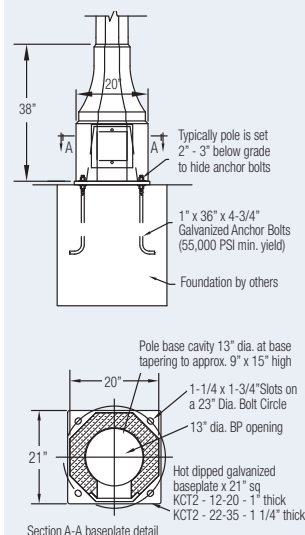
1. Auger the setting hole.
2. Set pole in hole and plumb straight.
3. Backfill* with required backfill tamping every 4" to 6".



*Generally the excavated material can be used for backfill, in some situations better backfill may be required.

Centennial C2

Baseplate Option 1: FBP



Typical Pole Cross Section