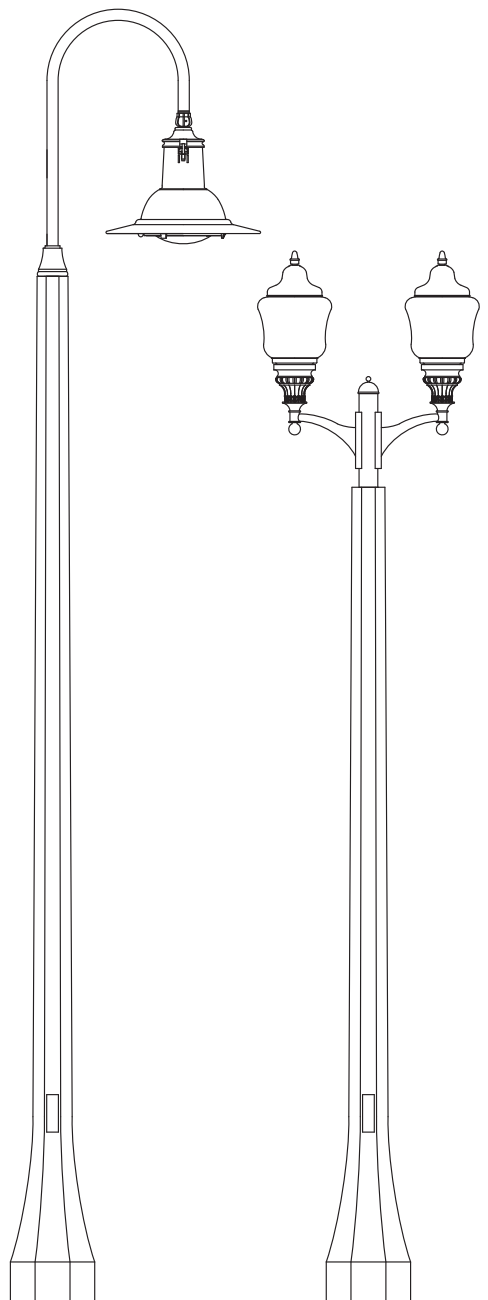


THE LORRAINE

The Lorraine has similar lines as our Memphis family, but with a smoother flowing profile. This Octagonal tapered pole with an 18" stepped base is available in all of our decor colors and finishes in heights up to 30', making it an ideal choice for outdoor street-lighting specifiers.



Specification Details

Description	Catalog Number	"A" Pole Height Above Grade	"D" Tip Dimension	"B" Direct Burial Length & "F" Dia.	Pole Weight Direct Burial	Pole Weight Base Plate
Lorraine 12'	KL12	12' 0"	7 3/8"	4' 6" x 9 3/4"	1400 lbs	1150 lbs
Lorraine 15'	KL15	15' 0"	7"	4' 6" x 9 3/4"	1600 lbs	1350 lbs
Lorraine 18'	KL18	18' 0"	6 5/8"	5' 0" x 9 3/4"	1770 lbs	1470 lbs
Lorraine 20'	KL20	20' 0"	6 3/8"	5' 0" x 9 3/4"	1860 lbs	1560 lbs
Lorraine 22'	KL22	22' 0"	6 1/8"	5' 0" x 9 3/4"	1950 lbs	1650 lbs
Lorraine 25'	KL25	25' 0"	5 3/4"	5' 0" x 9 3/4"	2100 lbs	1800 lbs
Lorraine 30'	KL30	30' 0"	5 1/8"	5' 0" x 9 3/4"	2340 lbs	2040 lbs

How to Catalog for Lorraine Concrete Pole

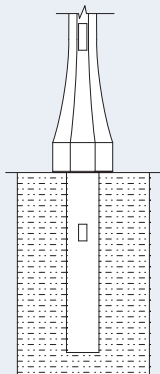
<p>Pole Style</p> <p>KL</p> <p>KL 30'</p> <p>Height</p> <p>12' - 30'</p>	<p>Finish</p> <p>E - Etched Finish</p> <p>E 40</p> <p>Color**</p> <p>10 - Midnight Lace 11 - Eclipse Black 30 - Salt & Pepper 40 - Pearl Gray 90 - Saluki bronze</p>	<p>Footing Details</p> <p>DB - Direct Buried FBP - Flush Baseplate SBP - Stub Baseplate</p> <p>DB 140 30/30</p> <p>Tenon (Post Top Mount)</p> <p>Specify Tenon Size For example 140 30/30 = 2 7/8" OD & 3" long</p>	<p>Coating</p> <p>NA - Non Acrylic A - Acrylic AG - Anti Graffiti Coating***</p> <p>GFI NA</p> <p>Options*</p> <p>DR - Duplex Receptacle GFI - Ground Fault Duplex Receptacle SR - 1 Outlet LRN - Ladder Rest BPC - Base Plate Cover AB - Anchor Bolts BA - Banner Arms FH - Flag Holders</p>
--	--	---	---

* Consult website for full listings. ** See decor colors on page 2 for full selection of colors.
***Anti Graffiti Coating is extra, consult factory for more details.

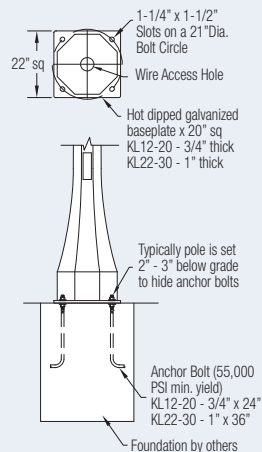
Footing Details

Direct Buried

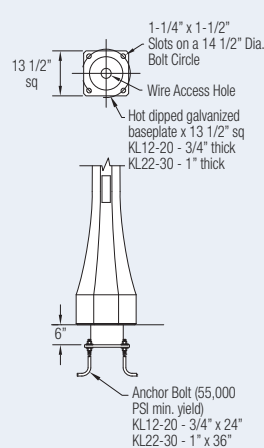
- (Simple and Cost Effective)
1. Auger the setting hole.
 2. Set pole in hole and plumb straight.
 3. Backfill* with required backfill tamping every 4" to 6".



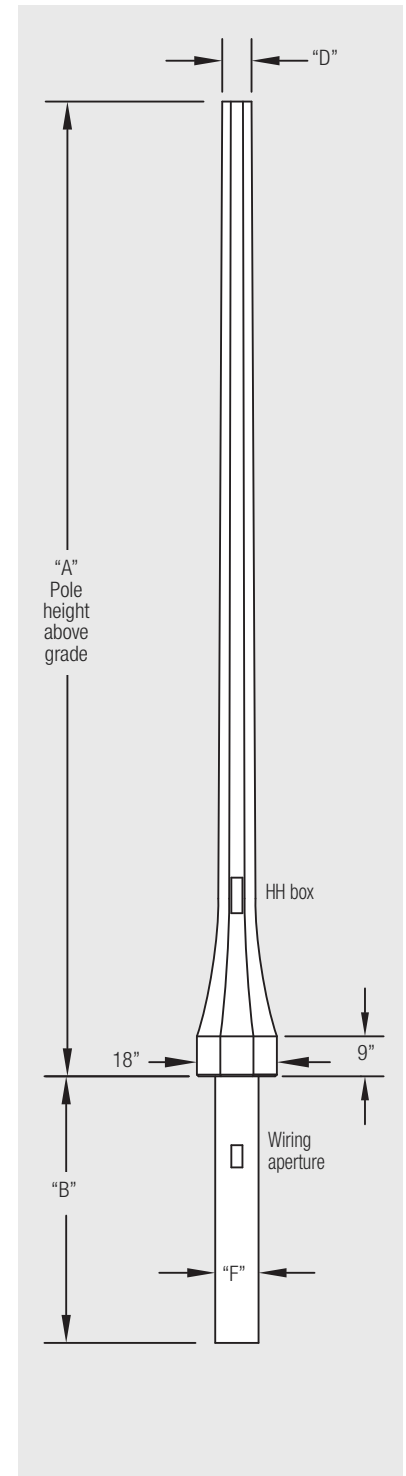
Baseplate Option 1: FBP



Baseplate Option 2: SBP



*Generally the excavated material can be used for backfill, in some situations better backfill may be required.



Typical Pole Cross Section