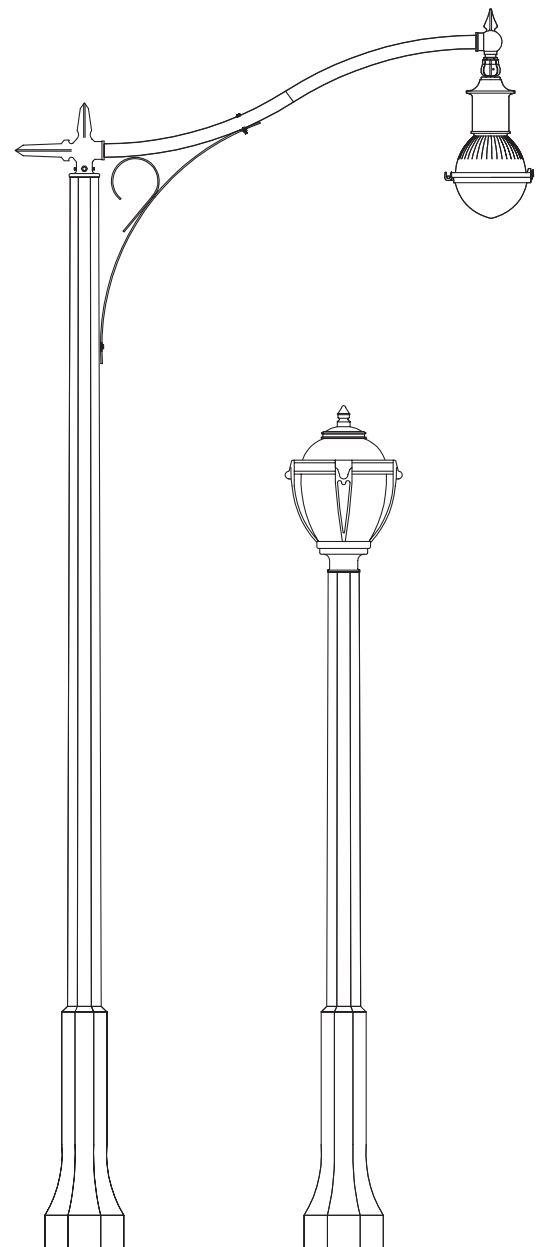


THE MEMPHIS

The simple lines of the Memphis bridges the gap between the ornamental designs of the first three decades of the 20th century and the more utilitarian designs that had their origin in the stark realities of the 40's and 50's. It is available in heights from 5' to 32' in all of our concrete decor colors.



Specification Details

Description	Catalog Number	"A" Pole Height Above Grade	"D" Tip Dimension	"C" Stepped Section Height	"E" Flare	"B" Direct Burial Length & "F" Dia.	Pole Weight Direct Burial	Pole Weight Base Plate	
Memphis	10'	KM10	10' 0"	5 1/2"	43"	14"	4' 6" x 10"	900 lbs	700 lbs
	13'	KM13	13' 6"	5 1/4"	43"	14"	4' 6" x 10"	975 lbs	775 lbs
	16'	KM16	15' 10"	5"	43"	14"	4' 6" x 10"	1050 lbs	850 lbs
Highwayman	18'	KMH18	18' 0"	7 1/2"	38 1/2"	18"	5' 0" x 12"	1770 lbs	1470 lbs
	20'	KMH20	20' 0"	7 5/16"	38 1/2"	18"	5' 0" x 12"	1860 lbs	1560 lbs
	25'	KMH25	25' 0"	6 7/8"	38 1/2"	18"	5' 0" x 12"	2100 lbs	1800 lbs
	30'	KMH30	30' 0"	6 1/2"	38 1/2"	18"	5' 0" x 12"	2340 lbs	2040 lbs
	32'	KMH325	32' 6"	6 1/4"	38 1/2"	18"	5' 6" x 12"	2420 lbs	2120 lbs

How to Catalog for Memphis Concrete Pole

Pole Style	Finish	Footing Details	Coating
KM KMH	E – Etched Finish S – Polished Finish	DB – Direct Buried FBP – Flush Baseplate SBP – Stub Baseplate	NA – Non Acrylic A – Acrylic AG – Anti Graffiti Coating***
KMH	E	DB	NA
30'	40	140 30/30	GFI
Height 5' - 32' 6"	Color** 10 – Midnight Lace 11 – Eclipse Black 30 – Salt & Pepper 40 – Pearl Gray 90 – Saluki bronze	Tenon (Post Top Mount) Specify Tenon Size For example 140 30/30 = 2 7/8" OD & 3" long	Options* DR – Duplex Receptacle GFI – Ground Fault Duplex Receptacle SR – 1 Outlet LRN – Ladder Rest BPC – Base Plate Cover AB – Anchor Bolts BA – Banner Arms FH – Flag Holders

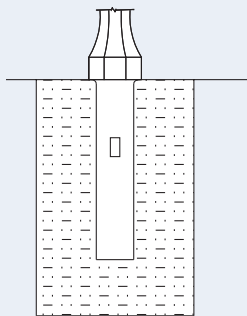
* Consult website for full listings. ** See decor colors on page 2 for full selection of colors.
***Anti Graffiti Coating is extra, consult factory for more details.

Footing Details

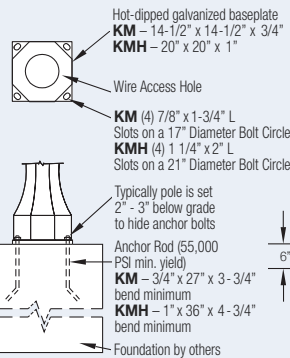
Direct Buried

(Simple and Cost Effective)

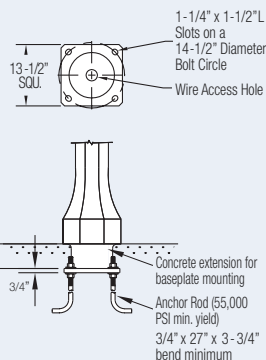
1. Auger the setting hole.
2. Set pole in hole and plumb straight.
3. Backfill* with required backfill tamping every 4" to 6".



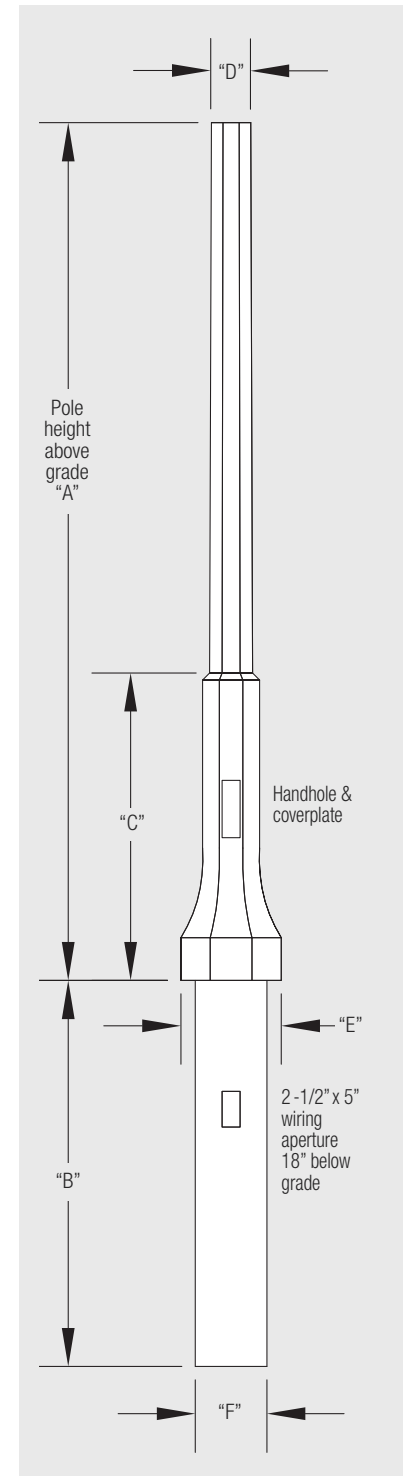
Baseplate Option 1: FBP



Baseplate Option 2: SBP



*Generally the excavated material can be used for backfill, in some situations better backfill may be required.



Typical Pole Cross Section