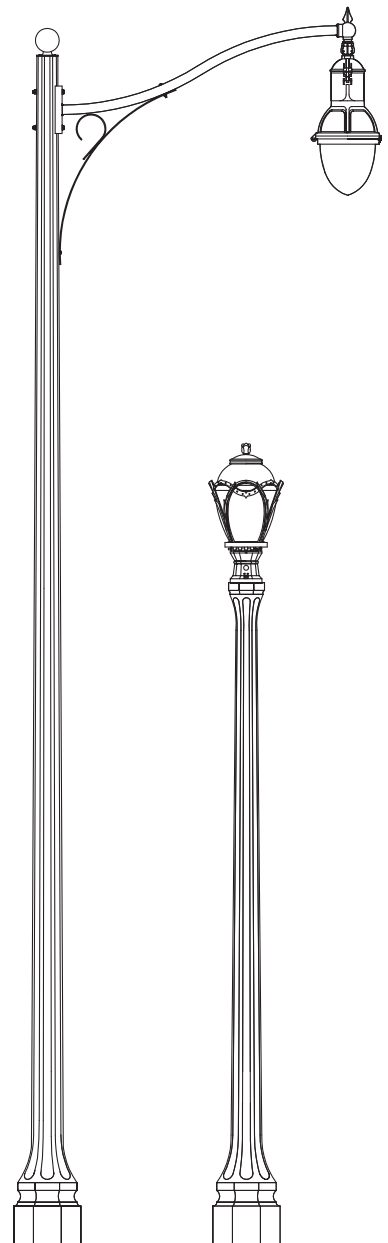


## THE TALISMAN

With roots firmly established in the 20's and 30's the Talisman is an elegant version of several classic originals. In essence it is an 8 fluted version of the octagonal Belmont with the same graceful lines and proportions; the perfect choice to satisfy the tastes of many. It is available in heights from 5' to 32.5' as well as a lighted and nonlighted bollard.



## Specification Details\*

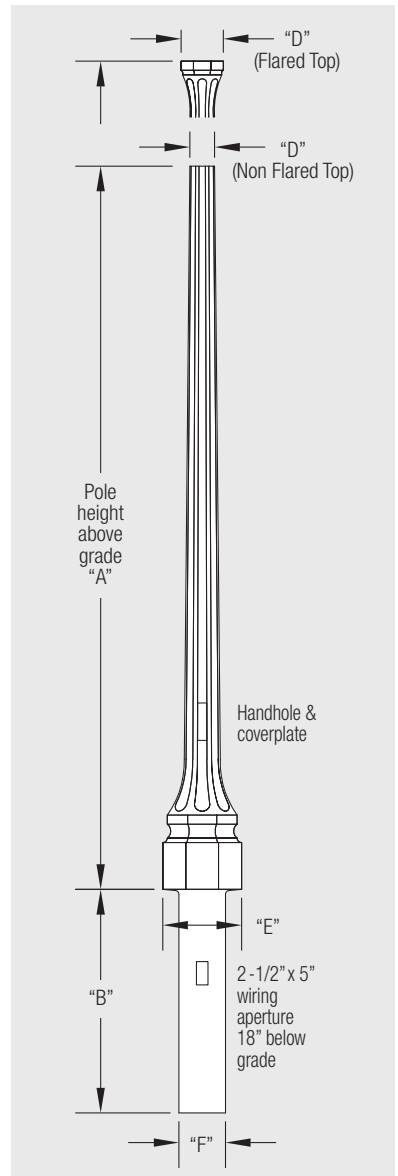
Description	Catalog Number	"A" Pole Height Above Grade	"D" Tip Dimension	"E" Flare	"B" Direct Burial Length & "F" Dia.	Pole Weight Direct Burial	Pole Weight Base Plate
Talisman Flared Top	KT105	11'	9"	18"	4' 6" x 9 1/2"	1200 lbs	1000 lbs
Talisman Non Flared Top	KT12	12' 0"	5 1/2"	18"	4' 6" x 9 1/2"	1300 lbs	1100 lbs
Talisman Flared Top	KT14	13' 11"	9"	18"	4' 6" x 9 1/2"	1370 lbs	1170 lbs
Talisman	KTH20	20' 0"	5 3/4"	18"	5' 0" x 9 1/2"	1600 lbs	1400 lbs
	KTH25	25' 0"	5 3/8"	18"	5' 0" x 9 1/2"	1800 lbs	1600 lbs
	KTT20	20' 0"	7 3/8"	21"	5' 0" x 12"	2270 lbs	2000 lbs
	KTT25	25' 0"	6 1/2"	21"	5' 0" x 12"	2470 lbs	2200 lbs
	KTT30	30' 0"	5 7/8"	21"	5' 0" x 12"	2630 lbs	2360 lbs
	KTT32.5	32' 6"	5 1/2"	21"	6' 0" x 12"	2720 lbs	2450 lbs

\* For bollard catalog information please see the bollard section in the King Luminaire catalog or visit our website at [www.StressCreteGroup.com](http://www.StressCreteGroup.com)

## How to Catalog for Talisman Concrete Pole

Pole Style	Finish	Footing Details	Coating
KT KTH KTT	E – Etched Finish	DB – Direct Buried FBP – Flush Baseplate SBP – Stub Baseplate	NA – Non Acrylic A – Acrylic AG – Anti Graffiti Coating***
<b>KTT</b>	<b>E</b>	<b>DB</b>	<b>GFI</b> <b>NA</b>
<b>32.5'</b>	<b>40</b>	<b>140 30/30</b>	<b>Options*</b>
<b>Height</b> 5' - 32' 6"	<b>Color**</b> 10 – Midnight Lace 11 – Eclipse Black 30 – Salt & Pepper 40 – Pearl Gray 90 – Saluki bronze	<b>Tenon (Post Top Mount)</b> Specify Tenon Size For example 140 30/30 = 2 7/8" OD & 3" long	DR – Duplex Receptacle GFI – Ground Fault Duplex Receptacle SR – 1 Outlet LRN – Ladder Rest BPC – Base Plate Cover AB – Anchor Bolts BA – Banner Arms FH – Flag Holders

\* Consult website for full listings. \*\* See decor colors on page 2 for full selection of colors.  
\*\*\*Anti Graffiti Coating is extra, consult factory for more details.

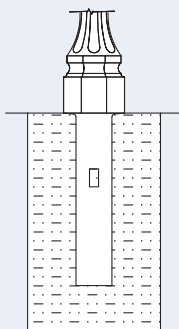


## Footing Details

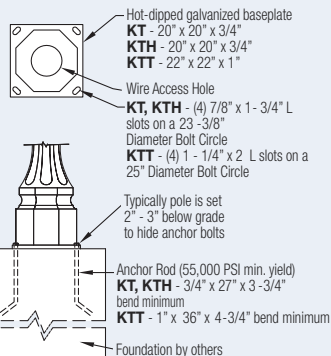
### Direct Buried

(Simple and Cost Effective)

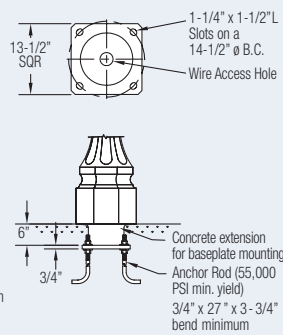
1. Auger the setting hole.
2. Set pole in hole and plumb straight.
3. Backfill\* with required backfill tamping every 4" to 6".



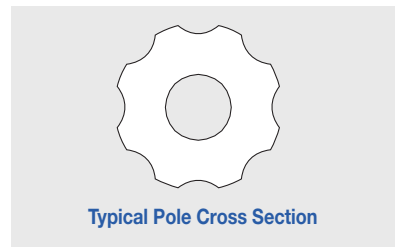
### Baseplate Option 1: FBP



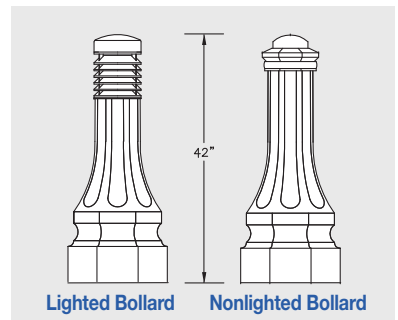
### Baseplate Option 2: SBP



\*Generally the excavated material can be used for backfill, in some situations better backfill may be required.



Typical Pole Cross Section



Lighted Bollard Nonlighted Bollard