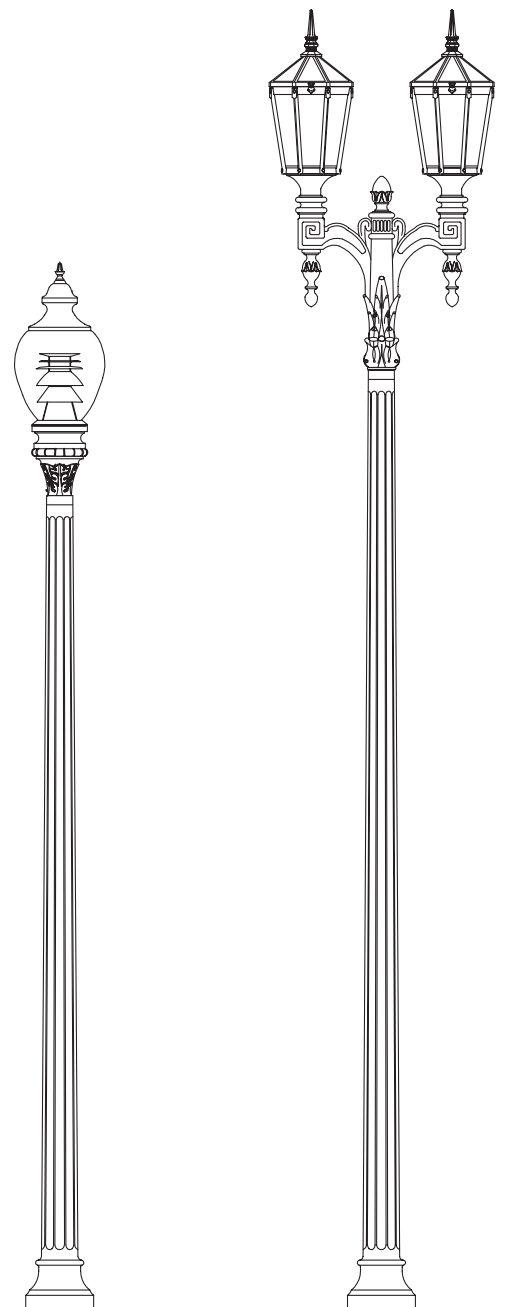


## THE TRADITIONAL

This simple 10 fluted pole was originally designed and installed in many residential areas in several west coast cities. Now in spun concrete it continues to offer understated elegance to any project it may be used for. It is currently available in heights from 5' to 18' as well as a lighted and nonlighted bollard.



## Specification Details\*

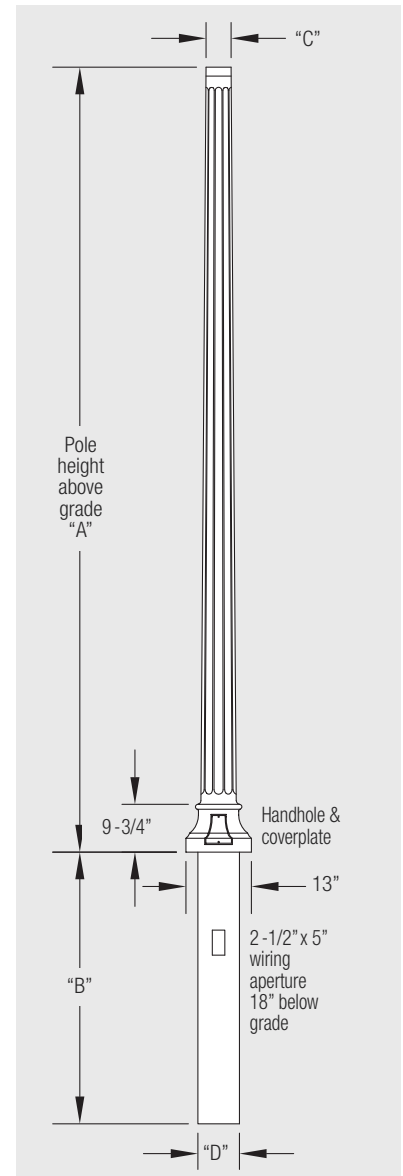
| Description     | Catalog Number | "A" Pole Height Above Grade | "C" Tip Dimension | "B" Direct Burial Length & "D" Dia. | Pole Weight Direct Burial | Pole Weight Base Plate |
|-----------------|----------------|-----------------------------|-------------------|-------------------------------------|---------------------------|------------------------|
| Traditional 10' | KD10           | 10' 1"                      | 5 1/2"            | 4' 6" x 8 1/4"                      | 525 lbs                   | 375 lbs                |
| Traditional 13' | KD13           | 13' 1"                      | 5"                | 4' 6" x 8 1/4"                      | 615 lbs                   | 465 lbs                |
| Traditional 15' | KD15           | 15' 1"                      | 5"                | 4' 6" x 8 1/4"                      | 710 lbs                   | 560 lbs                |
| Traditional 18' | KD18           | 18' 1"                      | 5"                | 5' 0" x 7 3/4"                      | 1100 lbs                  | 850 lbs                |

\* For bollard catalog information please see the bollard section in the King Luminaire catalog or visit our website at [www.StressCreteGroup.com](http://www.StressCreteGroup.com)

## How to Catalog for Traditional Concrete Pole

| Pole Style                | Finish  | Footing Details   | Coating   |
|---------------------------|---|---|---|
| KD                        | E – Etched Finish   | DB – Direct Buried<br>FBP – Flush Baseplate<br>SBP – Stub Baseplate                                   | NA – Non Acrylic<br>A – Acrylic<br>AG – Anti Graffiti Coating***  |
| <b>KD</b> <b>18'</b>      | <b>E</b> <b>40</b>  | <b>DB</b> <b>140 30/30</b>  | <b>GFI</b> <b>NA</b>  |
| <b>Height</b><br>5' - 18' | <b>Color**</b><br>10 – Midnight Lace<br>11 – Eclipse Black<br>30 – Salt & Pepper<br>40 – Pearl Gray<br>90 – Saluki bronze | <b>Tenon (Post Top Mount)</b><br>Specify Tenon Size<br>For example 140 30/30<br>= 2 7/8" OD & 3" long | <b>Options*</b><br>DR – Duplex Receptacle<br>GFI – Ground Fault Duplex Receptacle<br>SR – 1 Outlet<br>LRN – Ladder Rest<br>BPC – Base Plate Cover<br>AB – Anchor Bolts<br>BA – Banner Arms<br>FH – Flag Holders |

\* Consult website for full listings. \*\* See decor colors on page 2 for full selection of colors.  
\*\*\*Anti Graffiti Coating is extra, consult factory for more details.

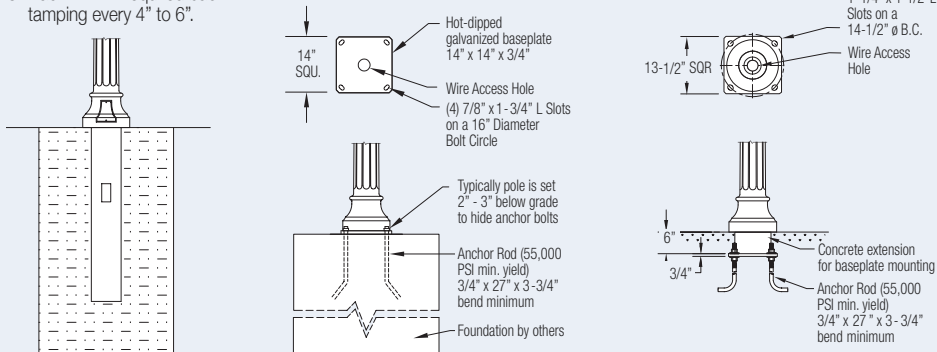


## Footing Details

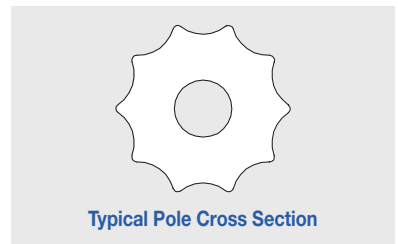
### Direct Buried

(Simple and Cost Effective)

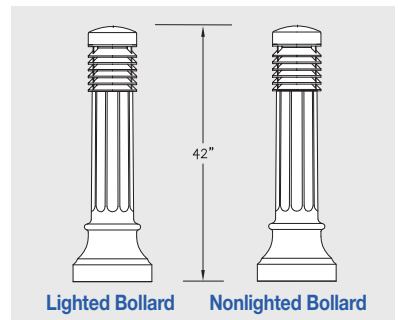
1. Auger the setting hole.
2. Set pole in hole and plumb straight.
3. Backfill\* with required backfill tamping every 4" to 6".



\*Generally the excavated material can be used for backfill, in some situations better backfill may be required.



Typical Pole Cross Section



Lighted Bollard Nonlighted Bollard