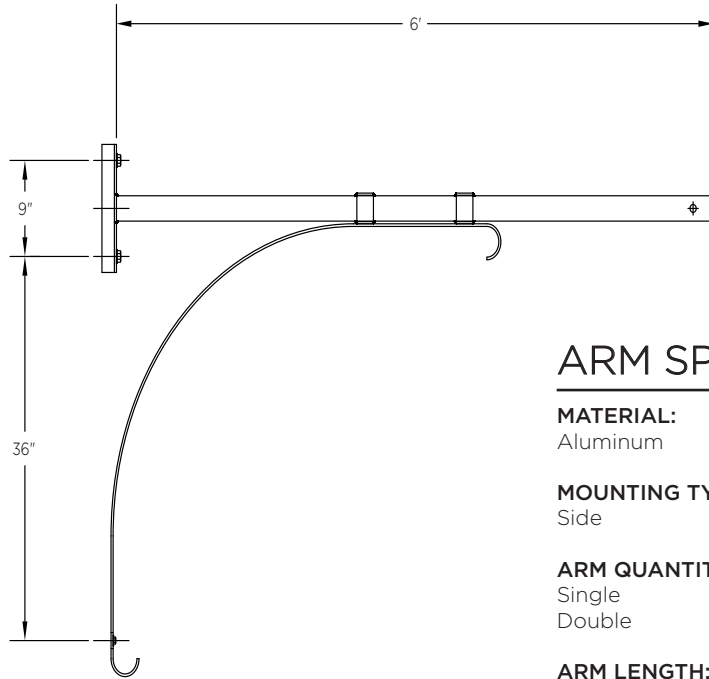


# KA11 // SPRINGVILLE ARM

DECORATIVE ARM



The King Luminaire KA11 Springville Arm is a simple and functional design with minimalist details. This aluminum arm is available in a variety of lengths in a single and double side mount arm configuration. The KA11 provides an uncomplicated yet distinguished option for any streetlighting situation.

## ARM SPECIFICATIONS

**MATERIAL:**  
Aluminum

**MOUNTING TYPE:**  
Side

**ARM QUANTITY:**  
Single  
Double

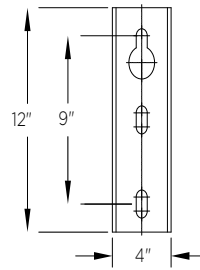
**ARM LENGTH:**  
3', 4', 5' and 6'

**FINISH:**  
Available in textured or smooth.

**EPA**  
0.97 - 3.36 sq. ft.

**WEIGHT**  
10 - 38 lbs

### MOUNTING TYPES:



Side Mount Details  
4" x 9" x 12"L

### LEVELLING DEVICES:



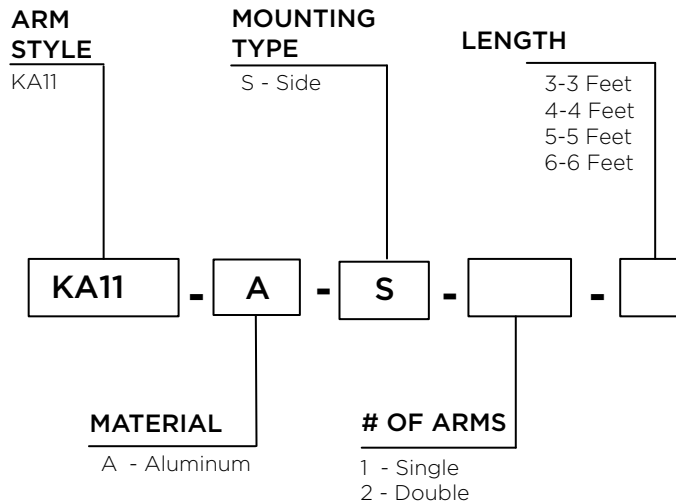
KPL20



KPL30

\*See leveling device spec sheet for more options

## HOW TO ORDER

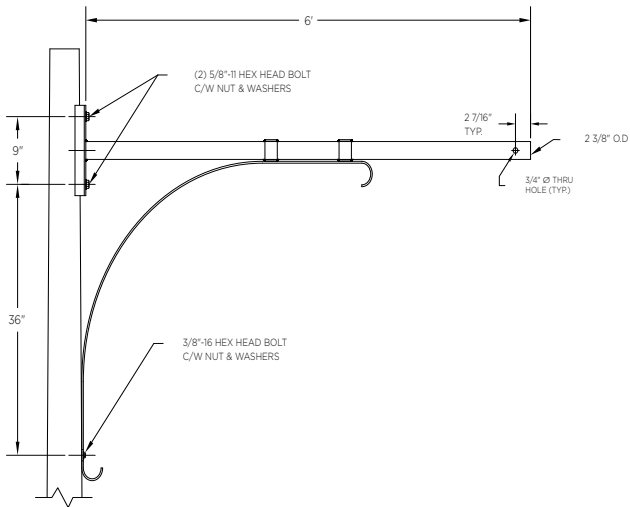


## EPA & WEIGHT

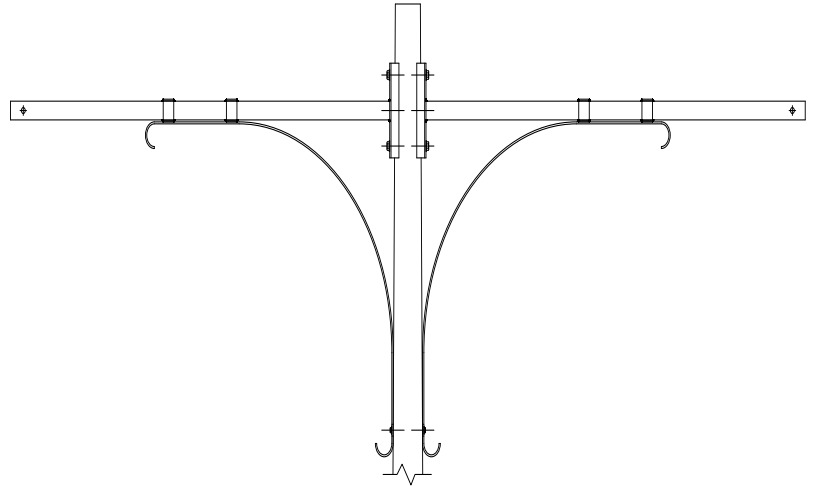
Catalog Number	Mount Type	# of Arms	EPA (sq ft)	Wt. (lbs)
KA11-A-S-1-3	Side	1	0.97	10
KA11-A-S-1-4	Side	1	1.33	12
KA11-A-S-1-5	Side	1	1.46	14
KA11-A-S-1-6	Side	1	1.68	19
KA11-A-S-2-3	Side	2	1.94	20
KA11-A-S-2-4	Side	2	2.8	24
KA11-A-S-2-5	Side	2	2.92	28
KA11-A-S-2-6	Side	2	3.36	38

# CONFIGURATION OPTIONS

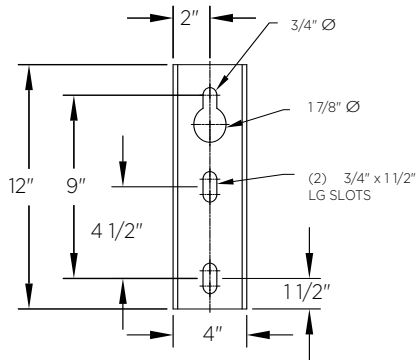
KA11 DECORATIVE ARM



Side Mount Single Arm



Side Mount Double Arm



Side Mounting Details