

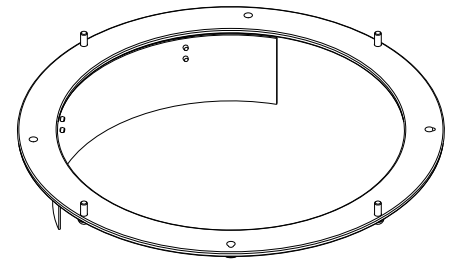
HOUSE SIDE SHIELDS

Pendant P4 Optical Engine

House Side Shields designed for our P4 optical system are available for all pendant lens options.

HSS4 - P4 with Flat, Sag or Shallow Lens

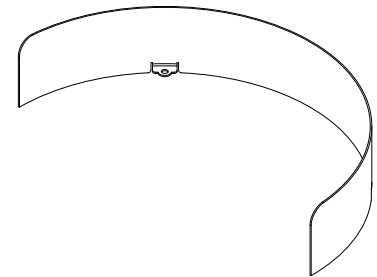
- Available for production of new luminaires
- Suitable for field installation into existing luminaires
- Available for P4 engine with no lens, sag or shallow lens
- 2", 4" and 6" shield height options
- Shield coverage of 120° and 180°



Ring with shield easily installed outside of the flat array engine with four screws.

HSS5 - P4 with Deep Dish Lens

- Available for production of new luminaires
- Suitable for field installation into existing luminaires
- Available for P4 engine with acrylic or glass deep dish lens
- 3" and 6" shield height options
- Shield coverage of 120° and 180°



Shield easily installed outside of the flat array engine with two screws.

HOUSE SIDE SHIELDS

Pendant P4 Optical Engine



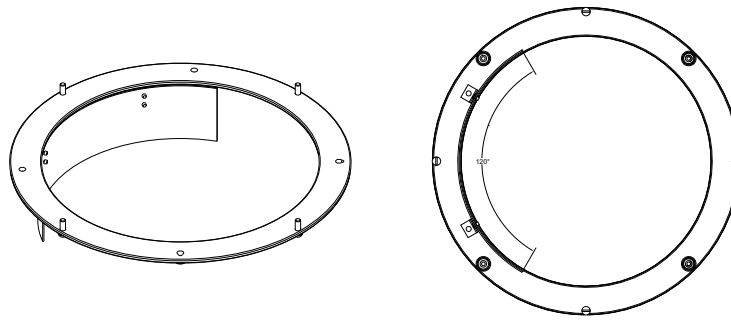
INSTALLATION INSTRUCTIONS

WARNING: Read these instructions carefully before attempting to install or maintain this product. Work must be done by qualified personnel. Improper installation or maintenance may result in personal injury or death or significant property damage.

WARNING: Be certain that all electrical power is disconnected from the fixture before installing or maintaining the fixture. Failure to do so may result in personal injury or death.

HSS4:

1. Disconnect the electrical supply to the intended luminaire location.
2. To install the HSS:
 - a) For flat (no lens) fixtures, place the ring so that the shield is positioned to block light in the desired location and secure the ring using the four supplied screws.
 - b) With sag and shallow lens fixtures, while supporting the lens, remove the existing lens holder ring and replace it with the new ring containing the shield. Place the ring so that the shield is positioned to block light in the desired location and secure the ring using the existing screws.
3. Re-connect the electrical power supply and check for proper operation.



HSS5:

1. Disconnect the electrical supply to the intended luminaire location.
2. To install the HSS:
 - a) Remove the existing two screws from the lens holder ring and then place the shield so that it is positioned to block light in the desired location. Secure the shield to the lens holder ring using the existing screws.
3. Re-connect the electrical power supply and check for proper operation.

