

INSTRUCTIONS

INSTALLATION AND MAINTENANCE

K100 ACORNS (LED)

The K100 LED luminaires are designed and tested in accordance with UL1598 (prev. UL1571 and UL1572) and CSA C22.2 No. 250-00. All electrical components are part of a modular driver assembly, which may be removed from the fixture; electrical connections must be turned off and disconnected.

WARNING: Read these instructions carefully before attempting to install or maintain this product. Work must be done by qualified personnel. Improper installation or maintenance may result in personal injury or death or significant property damage.

WARNING: Be certain that all electrical power is disconnected from the fixture before installing or maintaining the fixture. Failure to do so may result in personal injury or death.

CAUTION: Supply conductors that are run through the inside of a pole shall be supported by means capable of preventing injury and strain on the conductors.

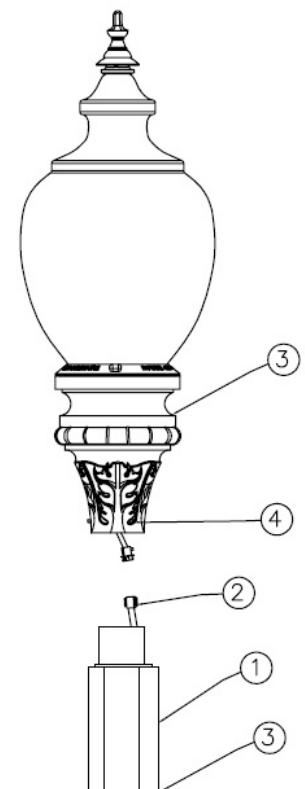
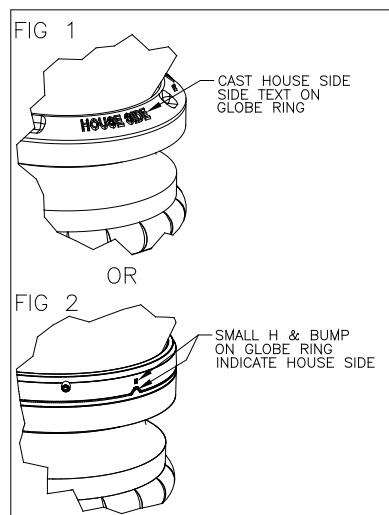
CAUTION: Under no circumstances should the complete fixture, including the globe, be installed on the street light pole and arm on the ground prior to the pole being erected. Installing the complete and assembled luminaire to the pole/arm prior to pole erection and then erecting the pole with the complete luminaire attached will result in VOIDING of the King Luminaire warranty.

INSTALLATION INSTRUCTIONS Option #1:

Tools and Materials Required:

3/16" Allen Key

1. Erect the street light pole. Remove the luminaire from packaging and check for damage incurred during shipping. Check that the voltage noted on the power leads sticker is the same as the power supply voltage.
2. After the pole is erected and secured, connect the power leads from the pole to the supplied luminaire power wires.
3. Slide the fixture capital over the tenon and orient it so that 'House Side' faces away from the street. See Figure 1 and 2 for house side indicators.
4. Tighten the set screws on the fixture capital with a 3/16" allen key to secure it to the tenon of the pole.
5. Connect the electrical power supply and check for proper operation.

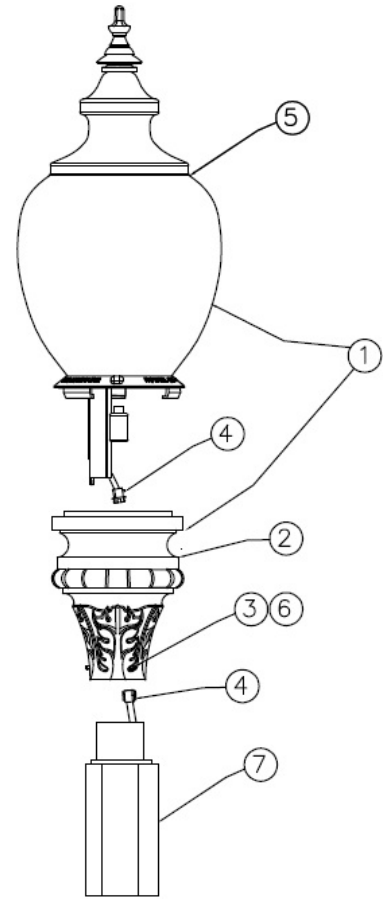


INSTALLATION INSTRUCTIONS Option #2:

Tools and Materials Required:

3/16" Allen Key

1. Disassemble the luminaire into its main components of CAPITAL and GLOBE/DRIVER ASSEMBLY by twisting the globe counter clock wise and lift the assembly from the capital.
2. Slide the capital onto the tenon of the pole.
3. Secure the capital to the tenon and pole by tightening the three set screws on the capital with a 3/16" allen key. Raise the pole.
4. After the pole is raised, install the globe/driver assembly by first making the electrical connections with the supplied quick disconnects or terminal blocks.
5. Place the globe onto the capital then twist the globe clock wise until there is a positive stop (fully stops turning).
6. If necessary, re-orient the fixture by loosening the three set screws on the capital and rotate the luminaire so that the 'House Side' indicator on the globe ring faces away from the street. See Figure 1 and 2 on previous page for house side indicators. Tighten the three set screws on the capital.
7. Connect the electrical power supply and check for proper operation.



MAINTENANCE INSTRUCTIONS

WARNING: Be certain that all electrical power is disconnected from the fixture before installing or maintaining the fixture. Failure to do so may result in personal injury or death.

Cleaning:

Wipe off exterior dirt and debris before opening or removing the lens. Wipe the lens with a clean soft dry cloth. If the lens needs to be washed, use soap and water. Do not use any abrasive cleaners on optical surfaces. Close or re-install the lens and secure.

For additional information, please contact:

King Luminaire Co. Inc.
Customer Service Department
1-800-268-7809
www.scgrp.com



StressCrete
GROUP