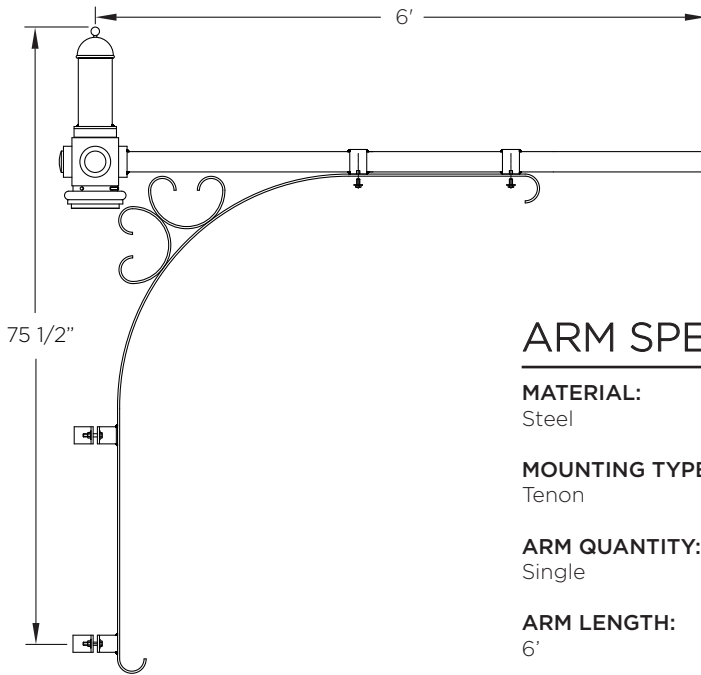


KA24 //

DECORATIVE ARM



The King Luminaire KA24 Arm is a classic and functional design full of character. This steel arm is available in a single tenon mount arm configuration, with a decorative cap. The KA24 provides a simple yet distinctive option for any streetlighting situation.

ARM SPECIFICATIONS

MATERIAL:
Steel

MOUNTING TYPE:
Tenon

ARM QUANTITY:
Single

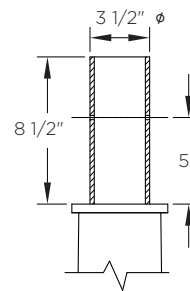
ARM LENGTH:
6'

FINISH:
Available in textured or smooth.

EPA
2.35 sq. ft.

WEIGHT
77 lbs

MOUNTING DETAILS:



Tenon Mount Details
TO ACCEPT 3" IPS (3.5" DIAMETER)
X 8 1/2" L TENON

LEVELING DEVICES



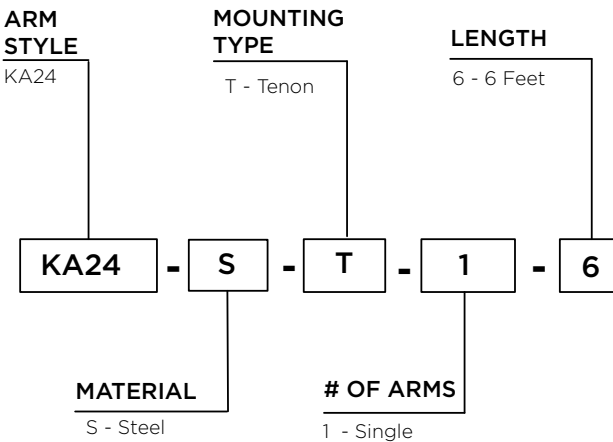
KPL20



KPL30

*See leveling device spec sheet for more options

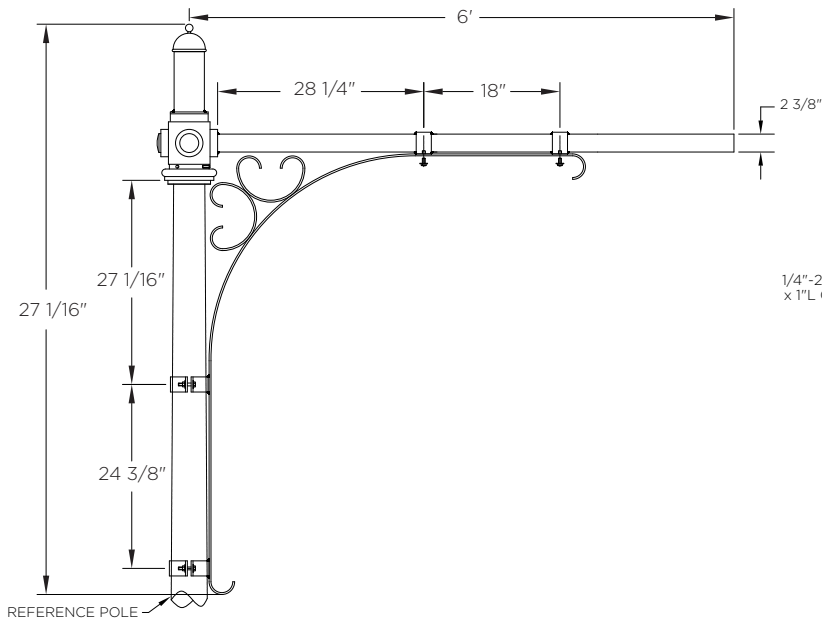
HOW TO ORDER



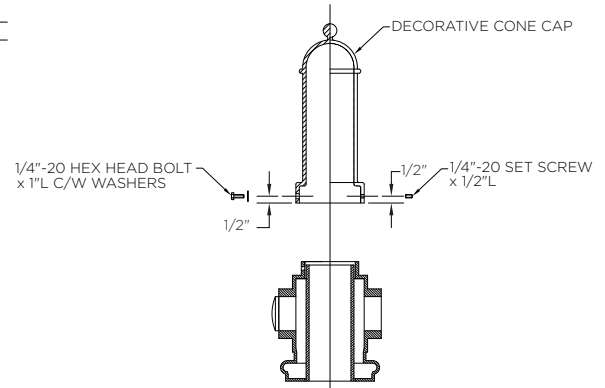
EPA & WEIGHT

Catalog Number	Mount Type	# of Arms	EPA (sq ft)	Wt. (lbs)
KA24-S-T-1-6	Tenon	1	2.35	77

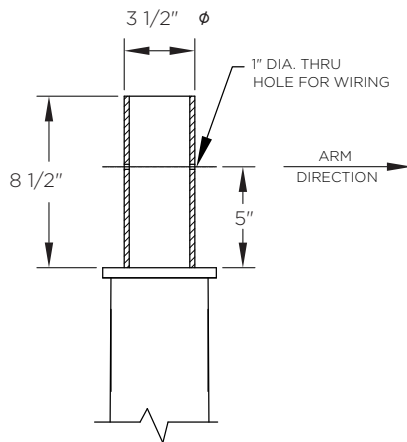
Tenon Mount Single Arm



Decorative Cone Cap Details



Tenon Mounting Details



Clamp for Decorative Scroll Details

