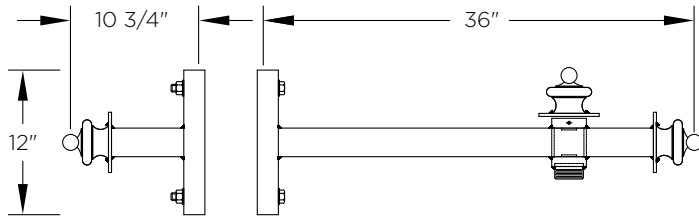


KA29 // THE KANKAKEE ARM

DECORATIVE ARM



The King Luminaire KA29 Arm is a decorative arm with charming details. Available in side mount with single or double arm configurations, the KA29 is an attractive solution for any situation.

ARM SPECIFICATIONS

MATERIAL:
Aluminum

MOUNTING TYPE:
Side

ARM QUANTITY:
Single
Double

ARM DIMENSIONS:
36" L
(Main Arm)

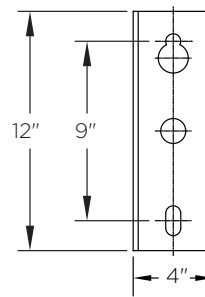
10 3/4" L
(Decorative Back Bracket)

FINISH:
Available in textured or smooth.

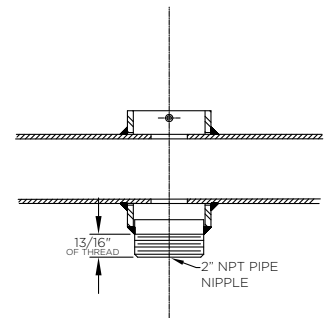
EPA
1.28 - 2.56 sq. ft.

WEIGHT
19 - 27 lbs

MOUNTING DETAILS:

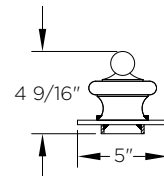


Side Mount Detail
4" x 1 3/4" x 12"L

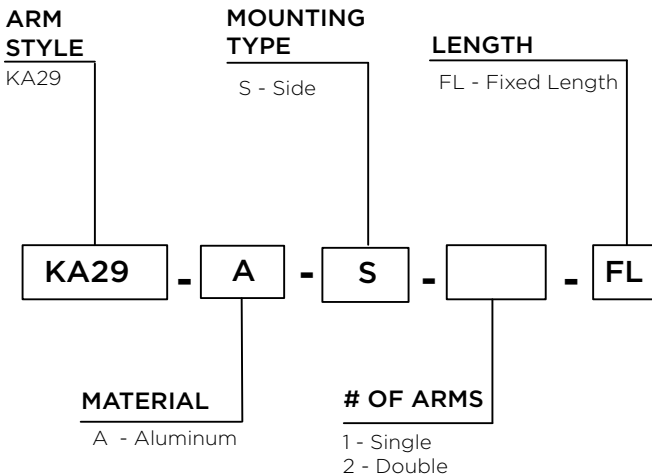


Luminaire Mounting Detail
Two 1/4"-20 Tapped Holes

LUMINAIRE MOUNTING CAP:

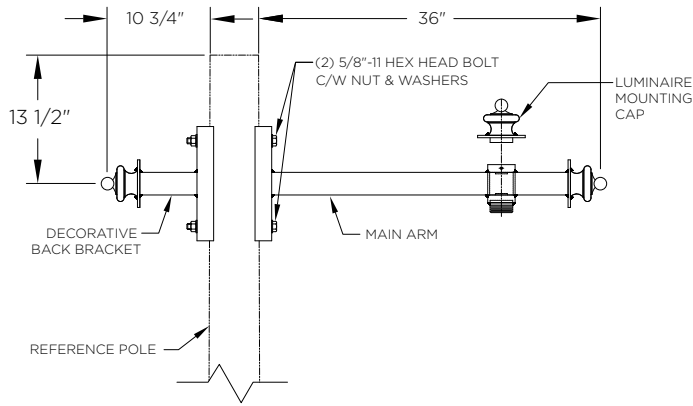


HOW TO ORDER

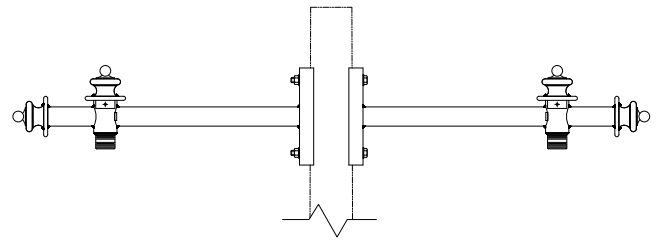


EPA & WEIGHT

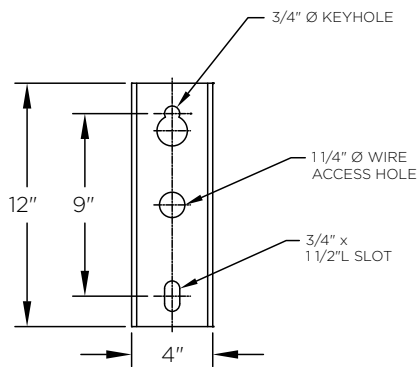
| Catalog Number | Mount Type | # of Arms | EPA (sq ft) | Wt. (lbs) |
|----------------|------------|-----------|-------------|-----------|
| KA29-A-S-1-FL | Side | 1 | 1.28 | 19 |
| KA29-A-S-2-FL | Side | 2 | 2.56 | 27 |



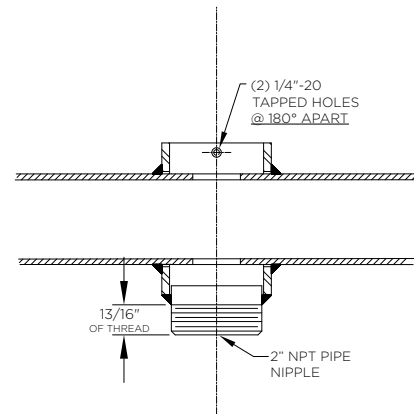
Side Mount Single Arm



Side Mount Double Arm



Side Mounting Detail



Luminaire Mount Detail