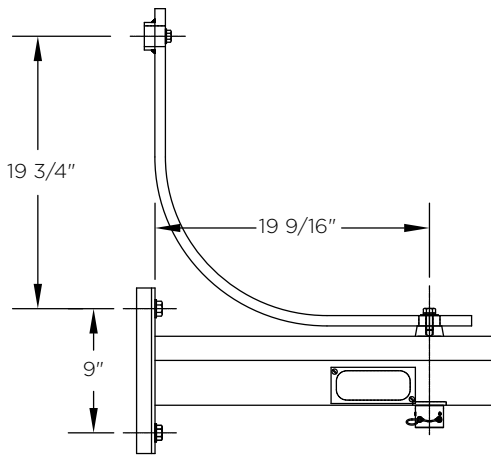


KA51 // MARINA ARM

DECORATIVE ARM



The King Luminaire KA51 Marina Arm is an inverted side mount arm with a clean look. Available in single or double arm configurations, the KA51 is a dependable solution enduring style.

ARM SPECIFICATIONS

MATERIAL:
Aluminum

MOUNTING TYPE:
Side

ARM QUANTITY:
Single
Double

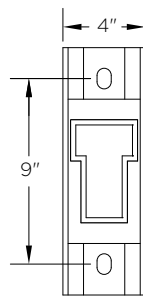
ARM LENGTH:
19 9/16"

FINISH:
Available in textured or smooth.

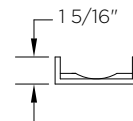
EPA
1.30 - 2.78 sq. ft.

WEIGHT
23 - 46 lbs

MOUNTING DETAILS:

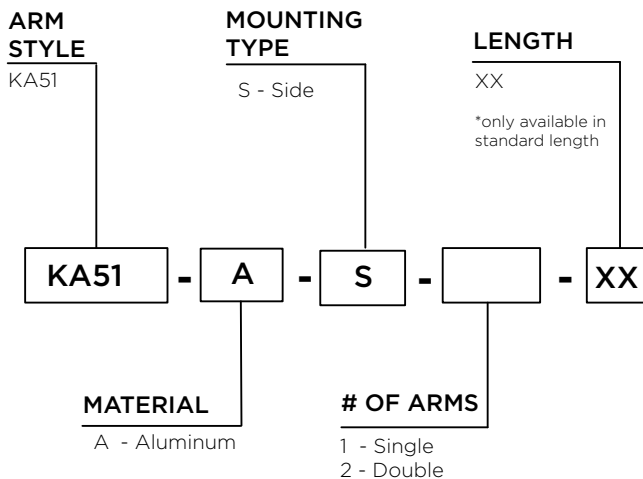


Side Mount Details



Top View of Side Mount Detail

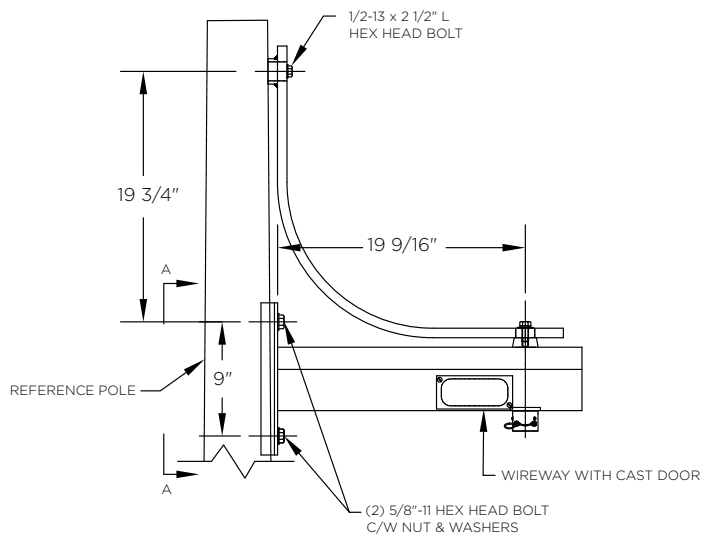
HOW TO ORDER



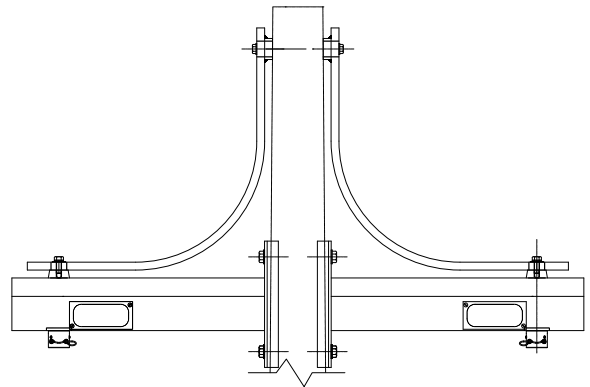
EPA & WEIGHT

Catalog Number	Mount Type	# of Arms	EPA (sq ft)	Wt. (lbs)
KA51-A-S-1-XX	Side	1	1.39	23
KA51-A-S-2-XX	Side	2	2.78	46

Side Mount Single Arm



Side Mount Double Arm



Side Mounting Details

