



SITE AMENITIES

FROM KING LUMINAIRE



THE NORTH YORK BICYCLE RACK - KBR20



At King Luminaire, we know that the quality of workmanship is just as important as the design itself.

Inspired by the goal to complement our lighting products, King Luminaire is proud to introduce the KBR20 North York Bicycle Rack.

Constructed of a heavy galvanized steel pipe and cast aluminum bicycle attachment ring, the King KBR20, when coated with King's durable "KingCoat" powder coat paint finish, will stand the test of time. Its simple yet stylish design allows for both single or double sided bicycle placement and works well even when space is limited. Optional direct burial or base plate mounting is available. Either method provides easy, yet secure installation.

The cast attachment ring can be custom designed to provide client identification or other designations. Finished in any of the dazzling array of KingCoat colors, the KBR20 awaits to complement your next project.

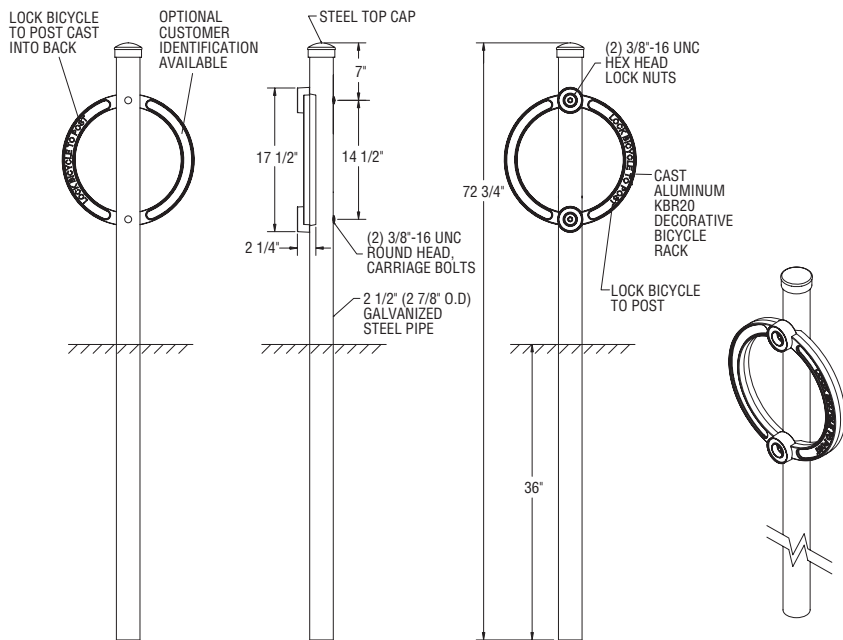


Standard, premium and custom paint colors available, please contact us for details.

THE QUALITY IS KING. THE DESIGNS, TIMELESS.

THE NORTH YORK BICYCLE RACK - KBR20

Direct Buried



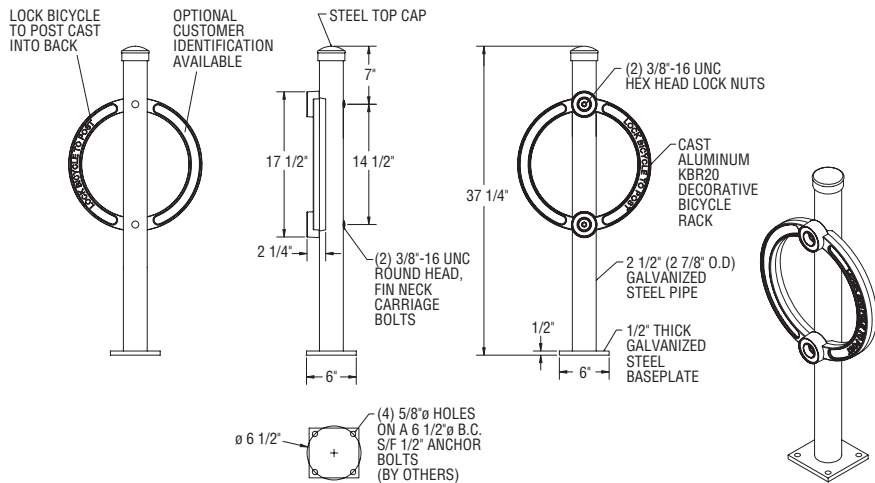
STREAMLINED →

STRONG →

SECURE →



Base Plate



How to Catalog

**KING
DECORATIVE
BICYCLE RACK**

SERIES

20 - North York
Bicycle Rack

KBR

20

DB

GN

PAINT COLOR

GN - Federal Green
BE - Blue
GY - Gray
BN - Brown
BK - Black
BZ - Bronze
(other colors available
see color selector in catalog)

MOUNTING CONFIGURATION

DB - Direct Buried
BP - Base Plate



King Luminaire • Stresscrete • Est. 1953

**STRESSCRETE
GROUP**

www.kingluminaire.com • www.stresscrete.com

9200 Energy Lane
Northport, Alabama, USA 35476-3442
Tel: (205) 339-0711 Fax: (205) 339-4840
Toll Free 1-800-435-6563

1153 State Route 46N
Jefferson, Ohio, USA 44047
Toll Free 1-800-268-7809 Fax: (905) 632-8116

14503 Wallick Road
Atchison, Kansas 66002
Tel: (913) 255-3112 Fax: (913) 255-3124
Toll Free 1-800-837-1024

840 Walkers Line, P.O. Box 7
Burlington, Ontario, Canada L7R 3X9
Tel: (905) 632-9301 Fax: (905) 632-8116
Toll Free 1-800-268-7809