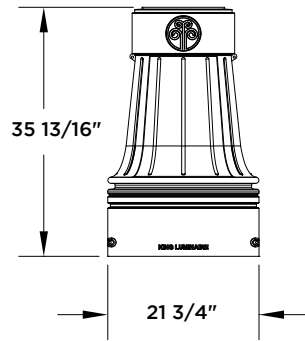
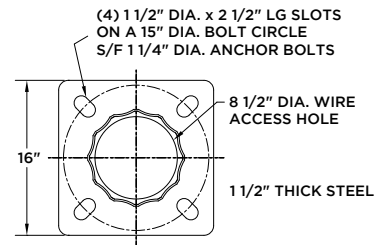


Decorative Base Cover:



Baseplate:



Specifications:

Pole Shaft Options:

Available as Form Fluted (FF) 16 flute tapered in aluminum or steel and Round Formed (RF) tapered in aluminum or steel.



Form Fluted (FF)



Round Formed (RF)

Decorative Base Cover:

Cast aluminum clam shell with maximum shaft opening of 11.375".

Base Weight*:

88 lbs

*Consult Shaft Detail Charts below for pole shaft weight

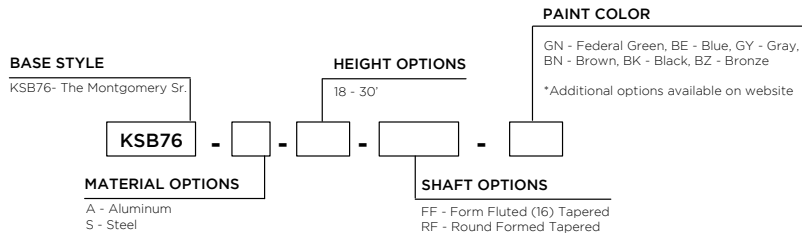
Options:

- GFI > Ground Fault Receptacle
- BA > Banner Arms
- FPH > Flower Pot Holder
- FH > Flag Holder

Finish:

Available in textured or smooth.

How to Order:



FF ALUMINUM // Shaft Details

Catalog Number	Ht. (ft)	Butt (in)	Tip (in)	Tenon	Wall Thickness (in)	Wt. (lbs)	90 MPH		100 MPH		110 MPH		120 MPH		150 MPH		Anchor Bolt Dia. (in)
							Max EPA (sq ft)	Max Load (lbs)	Max EPA (sq ft)	Max Load (lbs)	Max EPA (sq ft)	Max Load (lbs)	Max EPA (sq ft)	Max Load (lbs)	Max EPA (sq ft)	Max Load (lbs)	
KSB76-A-18-FF	18	7.02	4.5	3.5" x 3.5"	0.229	83	9.7	500	7.5	500	5.9	500	4.6	500	2.2	500	1.00
KSB76-A-19-FF	19	7.16	4.5	3.5" x 3.5"	0.229	89	9.2	500	7.0	500	5.4	500	4.2	500	1.9	500	1.00
KSB76-A-20-FF	20	7.3	4.5	3.5" x 3.5"	0.229	95	8.6	500	6.5	500	5.1	500	3.9	500	1.6	500	1.00
KSB76-A-21-FF	21	7.44	4.5	3.5" x 3.5"	0.229	101	8.2	500	6.1	500	4.7	500	3.5	500	1.4	500	1.00
KSB76-A-22-FF	22	7.58	4.5	3.5" x 3.5"	0.229	107	7.7	500	5.7	500	4.3	500	3.2	500	1.1	500	1.00
KSB76-A-23-FF	23	7.72	4.5	3.5" x 3.5"	0.229	113	7.3	500	5.4	500	4.0	500	3.0	500	0.9	500	1.00
KSB76-A-24-FF	24	7.11	3.75	3.5" x 3.5"	0.229	105	4.6	500	3.2	500	2.1	500	1.4	500	-	-	1.00
KSB76-A-25-FF	25	7.25	3.75	3.5" x 3.5"	0.229	110	4.4	500	2.9	500	1.9	500	1.1	500	-	-	1.00
KSB76-A-26-FF	26	7.39	3.75	3.5" x 3.5"	0.229	116	4.0	500	2.6	500	1.6	500	0.9	500	-	-	1.00
KSB76-A-27-FF	27	7.53	3.75	3.5" x 3.5"	0.229	122	3.8	500	2.4	500	1.4	500	0.7	500	-	-	1.00
KSB76-A-28-FF	28	7.67	3.75	3.5" x 3.5"	0.229	129	3.5	500	2.1	500	1.2	500	0.5	500	-	-	1.00
KSB76-A-29-FF	29	7.81	3.75	3.5" x 3.5"	0.229	135	3.2	500	1.9	500	1.0	500	0.3	500	-	-	1.00
KSB76-A-30-FF	30	7.95	3.75	3.5" x 3.5"	0.229	141	3.0	500	1.7	500	0.7	500	0.1	500	-	-	1.00

RF ALUMINUM // Shaft Details

Catalog Number	Ht. (ft)	Butt (in)	Tip (in)	Tenon	Wall Thickness (in)	Wt. (lbs)	90 MPH		100 MPH		110 MPH		120 MPH		150 MPH		Anchor Bolt Dia. (in)
							Max EPA (sq ft)	Max Load (lbs)	Max EPA (sq ft)	Max Load (lbs)	Max EPA (sq ft)	Max Load (lbs)	Max EPA (sq ft)	Max Load (lbs)	Max EPA (sq ft)	Max Load (lbs)	
KSB76-A-18-RF	18	7.02	4.5	3.5" x 3.5"	0.229	83	10.7	500	8.3	500	6.6	500	5.4	500	3.1	500	1.00
KSB76-A-19-RF	19	7.16	4.5	3.5" x 3.5"	0.229	89	10.1	500	7.8	500	6.2	500	5	500	2.9	500	1.00
KSB76-A-20-RF	20	7.3	4.5	3.5" x 3.5"	0.229	95	9.6	500	7.3	500	5.8	500	4.7	500	2.6	500	1.00
KSB76-A-21-RF	21	7.44	4.5	3.5" x 3.5"	0.229	101	9.1	500	6.9	500	5.5	500	4.4	500	2.4	500	1.00
KSB76-A-22-RF	22	7.58	4.5	3.5" x 3.5"	0.229	107	8.6	500	6.5	500	5.1	500	4.1	500	2.2	500	1.00
KSB76-A-23-RF	23	7.72	4.5	3.5" x 3.5"	0.229	113	8.2	500	6.2	500	4.8	500	3.8	500	2	500	1.00
KSB76-A-24-RF	24	7.11	3.75	3.5" x 3.5"	0.229	105	5.3	500	3.7	500	2.6	500	1.9	500	0.8	500	1.00
KSB76-A-25-RF	25	7.25	3.75	3.5" x 3.5"	0.229	110	5	500	3.4	500	2.4	500	1.7	500	0.6	500	1.00
KSB76-A-26-RF	26	7.39	3.75	3.5" x 3.5"	0.229	116	4.7	500	3.2	500	2.1	500	1.5	500	0.5	500	1.00
KSB76-A-27-RF	27	7.53	3.75	3.5" x 3.5"	0.229	122	4.4	500	2.9	500	1.9	500	1.3	500	0.3	500	1.00
KSB76-A-28-RF	28	7.67	3.75	3.5" x 3.5"	0.229	129	4.1	500	2.7	500	1.7	500	1.1	500	0.2	500	1.00
KSB76-A-29-RF	29	7.81	3.75	3.5" x 3.5"	0.229	135	3.9	500	2.4	500	1.5	500	0.9	500	0.1	500	1.00
KSB76-A-30-RF	30	7.95	3.75	3.5" x 3.5"	0.229	141	3.5	500	2.2	500	1.3	500	0.8	500	-	-	1.00

FF STEEL // Shaft Details

Catalog Number	Ht. (ft)	Butt (in)	Tip (in)	Tenon	Wall Thickness (in)	Wt. (lbs)	90 MPH		100 MPH		110 MPH		120 MPH		150 MPH		Anchor Bolt Dia. (in)
							Max EPA (sq ft)	Max Load (lbs)	Max EPA (sq ft)	Max Load (lbs)	Max EPA (sq ft)	Max Load (lbs)	Max EPA (sq ft)	Max Load (lbs)	Max EPA (sq ft)	Max Load (lbs)	
KSB76-S-18-FF	18	7.02	4.5	3.5" x 3.5"	0.12	130	23.9	500	19.0	500	15.4	500	12.6	500	7.3	500	1.00
KSB76-S-19-FF	19	7.16	4.5	3.5" x 3.5"	0.12	139	23.0	500	18.2	500	14.7	500	12.0	500	6.9	500	1.00
KSB76-S-20-FF	20	7.3	4.5	3.5" x 3.5"	0.12	148	22.2	500	17.5	500	14.1	500	11.5	500	6.5	500	1.00
KSB76-S-21-FF	21	7.44	4.5	3.5" x 3.5"	0.12	157	21.4	500	16.8	500	13.5	500	11.0	500	6.1	500	1.00
KSB76-S-22-FF	22	7.58	4.5	3.5" x 3.5"	0.12	167	20.6	500	16.2	500	13.0	500	10.5	500	5.8	500	1.00
KSB76-S-23-FF	23	7.72	4.5	3.5" x 3.5"	0.12	176	20.0	500	15.7	500	12.5	500	10.1	500	5.4	500	1.00
KSB76-S-24-FF	24	7.86	4.5	3.5" x 3.5"	0.12	186	19.3	500	15.1	500	12.1	500	9.7	500	5.1	500	1.00
KSB76-S-25-FF	25	8	4.5	3.5" x 3.5"	0.12	196	18.8	500	14.6	500	11.6	500	9.3	500	4.8	500	1.00
KSB76-S-26-FF	26	8.14	4.5	3.5" x 3.5"	0.12	206	18.2	500	14.2	500	11.2	500	8.9	500	4.5	500	1.00
KSB76-S-27-FF	27	8.28	4.5	3.5" x 3.5"	0.12	217	17.7	500	13.7	500	10.8	500	8.6	500	4.2	500	1.00
KSB76-S-28-FF	28	8.42	4.5	3.5" x 3.5"	0.12	227	17.2	500	13.3	500	10.5	500	8.3	500	4.0	500	1.00
KSB76-S-29-FF	29	8.56	4.5	3.5" x 3.5"	0.12	238	16.8	500	12.9	500	10.1	500	8.0	500	3.7	500	1.00
KSB76-S-30-FF	30	8.7	4.5	3.5" x 3.5"	0.12	249	16.3	500	12.5	500	9.8	500	7.7	500	3.4	500	1.00

RF STEEL // Shaft Details

Catalog Number	Ht. (ft)	Butt (in)	Tip (in)	Tenon	Wall Thickness (in)	Wt. (lbs)	90 MPH		100 MPH		110 MPH		120 MPH		150 MPH		Anchor Bolt Dia. (in)
							Max EPA (sq ft)	Max Load (lbs)	Max EPA (sq ft)	Max Load (lbs)	Max EPA (sq ft)	Max Load (lbs)	Max EPA (sq ft)	Max Load (lbs)	Max EPA (sq ft)	Max Load (lbs)	
KSB76-S-18-RF	18	7.02	4.5	3.5" x 3.5"	0.12	130	26.0	500	20.7	500	16.9	500	14.0	500	8.6	500	1.00
KSB76-S-19-RF	19	7.16	4.5	3.5" x 3.5"	0.12	139	25.0	500	19.9	500	16.2	500	13.4	500	8.2	500	1.00
KSB76-S-20-RF	20	7.3	4.5	3.5" x 3.5"	0.12	148	24.1	500	19.1	500	15.6	500	12.9	500	7.9	500	1.00
KSB76-S-21-RF	21	7.44	4.5	3.5" x 3.5"	0.12	157	23.3	500	18.4	500	15.0	500	12.4	500	7.5	500	1.00
KSB76-S-22-RF	22	7.58	4.5	3.5" x 3.5"	0.12	167	22.6	500	17.8	500	14.5	500	11.9	500	7.2	500	1.00
KSB76-S-23-RF	23	7.72	4.5	3.5" x 3.5"	0.12	176	21.9	500	17.2	500	14.0	500	11.5	500	6.9	500	1.00
KSB76-S-24-RF	24	7.86	4.5	3.5" x 3.5"	0.12	186	21.2	500	16.7	500	13.5	500	11.1	500	6.7	500	1.00
KSB76-S-25-RF	25	8	4.5	3.5" x 3.5"	0.12	196	20.6	500	16.2	500	13.1	500	10.8	500	6.4	500	1.00
KSB76-S-26-RF	26	8.14	4.5	3.5" x 3.5"	0.12	206	20.1	500	15.7	500	12.7	500	10.4	500	6.2	500	1.00
KSB76-S-27-RF	27	8.28	4.5	3.5" x 3.5"	0.12	217	19.5	500	15.3	500	12.3	500	10.1	500	5.9	500	1.00
KSB76-S-28-RF	28	8.42	4.5	3.5" x 3.5"	0.12	227	19.0	500	14.9	500	12.0	500	9.8	500	5.7	500	1.00
KSB76-S-29-RF	29	8.56	4.5	3.5" x 3.5"	0.12	238	18.6	500	14.5	500	11.7	500	9.5	500	5.5	500	1.00
KSB76-S-30-RF	30	8.7	4.5	3.5" x 3.5"	0.12	249	18.1	500	14.1	500	11.4	500	9.3	500	5.3	500	1.00