

THE ALEXANDER

CONCRETE SMALL CELL POLE



Complete the form with your specifications and submit to sales@scgrp.com

POLE INFORMATION				
Total Pole Length "A"	Pole Length (Above grade)	Tip Size (I.D.)	Butt Size (I.D.)	Tip Size (O.D.)
Direct Embedded				
30' 3"	25'	3"	17"	6.75"
35' 3"	30'	2.0625"	17"	5.8125"
37' 3"	32'	1.8125"	17"	5.5625"

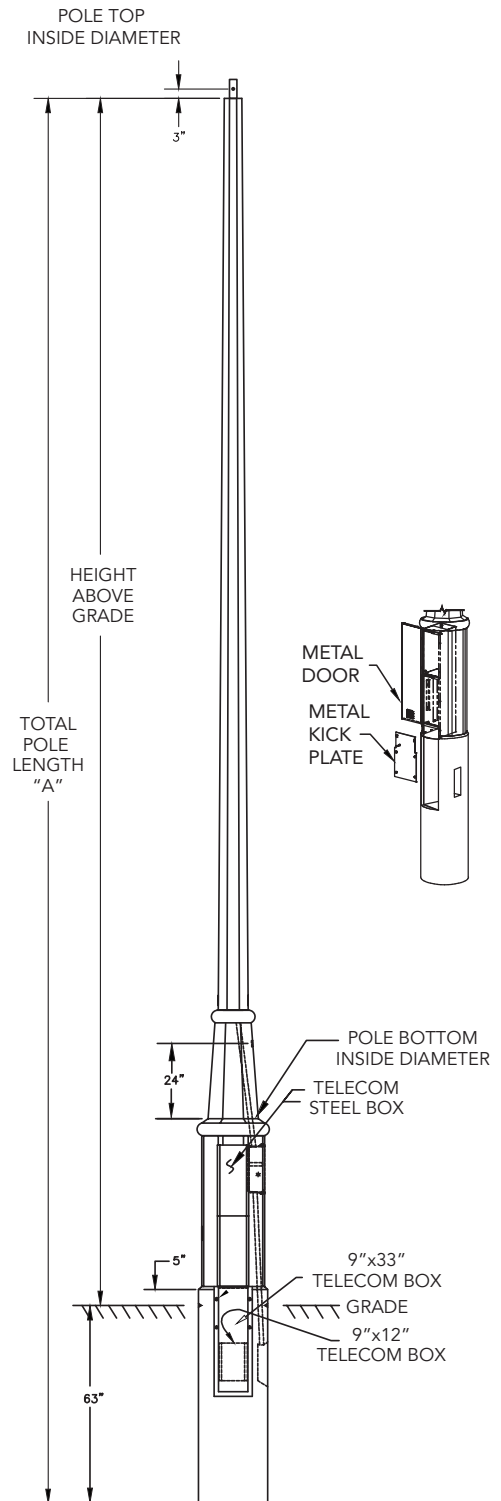
POLE ANTENNA MOUNT INFORMATION		
Antenna Diameter	Antenna Height	Weight

POLE ARM INFORMATION		
Number of Arms	Arm Length	Height Above Grade

MICRO REMOTE RADIO UNIT (mRRU)					
Number of Units	Unit Weight	Unit Width	Unit Sq. Ft. (EPA)	Height Above Grade	Orientation

HANDHOLES			
Quantity	Size of Access Needed	Height Above Grade	Product Weight

OTHER ATTACHMENTS OR ACCESSORIES			
Product Description	Product Sq. Ft.	Height Above Grade	Product Weight
Telecom Cavity (A.G.)	47" L x 8" W x 11" D		
Below Grade Aperture	48" L x 8" W x 11" D		



Note: Minimum tip raceway may vary depending on pole class and length. Please contact StressCrete Group to determine a pole raceway sufficient to satisfy the application.