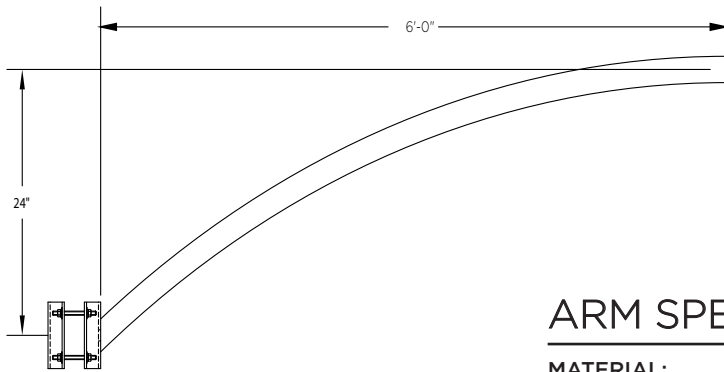


KA200 // LOW RISE (CLAMP ON) ARM

STREET LIGHT ARM



The King Luminaire KA200 Low Rise (Clamp On) Arm is a simplistic arm with sleek, curved lines. Available as a side octagonal mount with single or double arm configurations. The KA200 is the ideal solution for a straight forward project.

ARM SPECIFICATIONS

MATERIAL:
Aluminum
Steel

MOUNTING TYPE:
Side Octagonal

ARM QUANTITY:
Single
Double

ARM LENGTH:
4', 6', and 8'

FINISH:
Available in textured or smooth.

EPA
0.95 - 3.71 sq. ft.

WEIGHT
12 - 72 lbs

MOUNTING TYPES:
Side Mount Octagonal:
Suitable for 5 3/8" - 6" FL/FL Pole Top

ARM DIMENSIONS:

Run	Rise
4'	18"
6'	24"
8'	30"

LEVELING DEVICE:



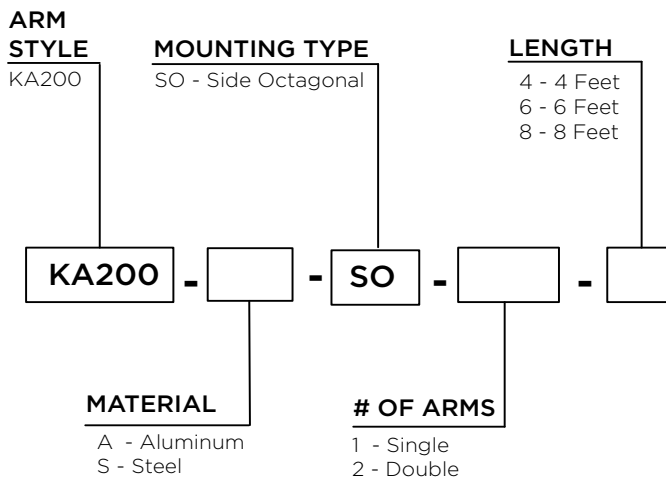
KPL20



KPL30

*See leveling device spec sheet for more options

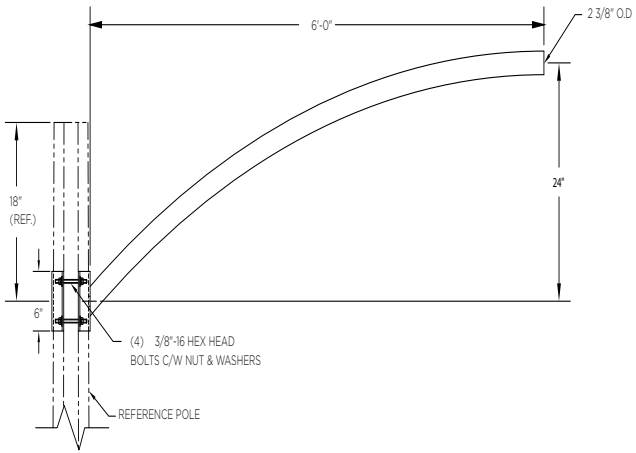
HOW TO ORDER



EPA & WEIGHT

Catalog Number	Mount Type	# of Arms	L. (ft)	EPA (sq ft)	Wt. (lbs)
KA200-A-SO-1-4	Side	1	4	0.95	12
KA200-A-SO-1-6	Side	1	6	1.4	18
KA200-A-SO-1-8	Side	1	8	1.85	21
KA200-A-SO-2-4	Side	2	4	1.9	18
KA200-A-SO-2-6	Side	2	6	2.8	30
KA200-A-SO-2-8	Side	2	8	3.71	36
KA200-S-SO-1-4	Side	1	4	0.95	27
KA200-S-SO-1-6	Side	1	6	1.4	33
KA200-S-SO-1-8	Side	1	8	1.85	41
KA200-S-SO-2-4	Side	2	4	1.9	43
KA200-S-SO-2-6	Side	2	6	2.8	57
KA200-S-SO-2-8	Side	2	8	3.71	72

Side Mount Octagonal Single Arm



Side Mount Octagonal Double Arm

