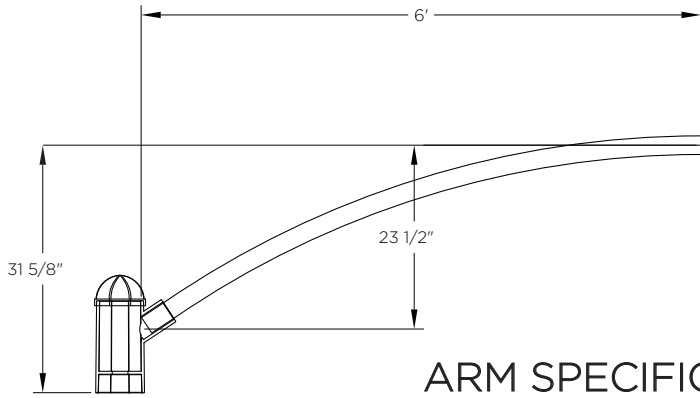


# KA150 // OCTAGONAL SLIP OVER ALUMINUM ARM

## STREET LIGHT ARM



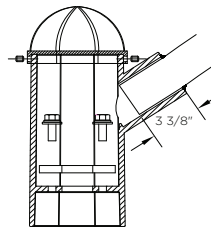
The King Luminaire KA150 Octagonal Slip Over Arm is a sleek and innovative design.



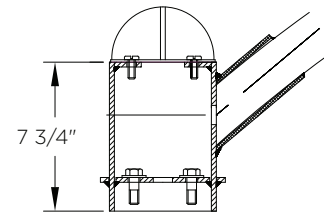
### ARM SPECIFICATIONS

- MATERIAL:**  
Aluminum
- MOUNTING TYPE:**  
Tenon
- ARM QUANTITY:**  
Single  
Double
- ARM LENGTHS:**  
4'  
5'  
6'  
8'  
10'
- FINISH:**  
Available in textured or smooth.
- EPA**  
1.70 - TBD ft.
- WEIGHT**  
19 -TBD lbs

#### MOUNTING DETAILS:



Octagonal Mount Details



Round Mount Details

#### LEVELING DEVICE:



KPL20



KPL30

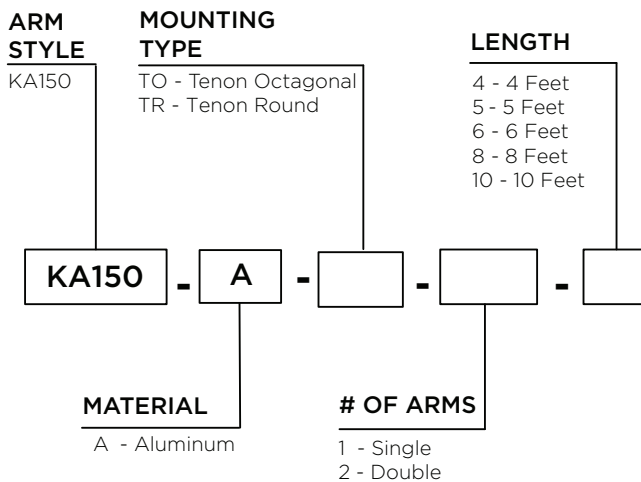
\*See leveling device spec sheet for more options

Run	Rise	Run	Rise
4'	17 5/16"	4'	TBD
6'	23 1/2"	6'	30"
8'	29 9/16"	8'	TBD

Octagonal Run/Rise Details

Round Run/Rise Details

### HOW TO ORDER

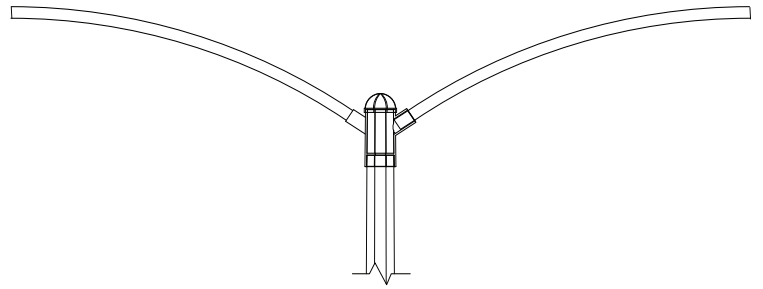
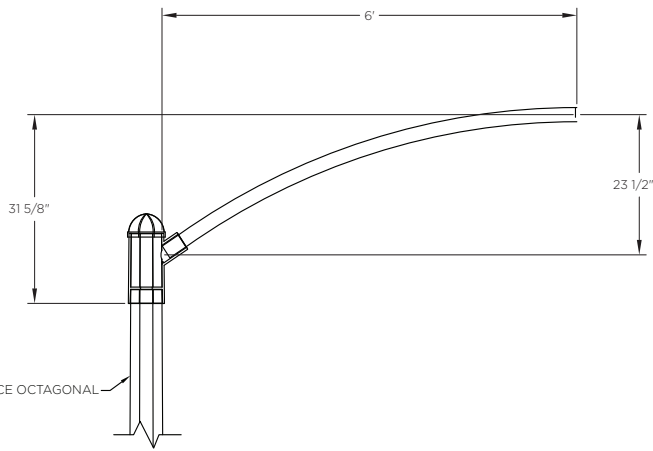


### EPA & WEIGHT

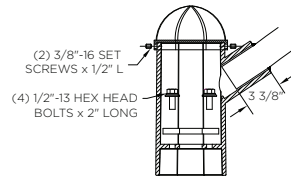
Catalog Number	Mount Type	# of Arms	L. (ft)	EPA (sq ft)	Wt. (lbs)
KA150-A-TO-1-4	TO	1	4	1.70	19
KA150-A-TO-1-6	TO	1	6	2.15	25
KA150-A-TO-1-8	TO	1	8	2.59	28
KA150-A-TO-1-10	TO	1	10	3.03	32
KA150-A-TO-2-4	TO	2	4	2.66	25
KA150-A-TO-2-6	TO	2	6	3.60	39
KA150-A-TO-2-8	TO	2	8	4.50	46
KA150-A-TO-2-10	TO	2	10	5.61	58
KA150-A-TR-1-4	TR	1	4	TBD	TBD
KA150-A-TR-1-6	TR	1	6	1.89	24
KA150-A-TR-1-8	TR	1	8	TBD	TBD
KA150-A-TR-1-10	TR	1	10	TBD	TBD
KA150-A-TR-2-4	TR	2	4	TBD	TBD
KA150-A-TR-2-6	TR	2	6	TBD	TBD
KA150-A-TR-2-8	TR	2	8	TBD	TBD
KA150-A-TR-2-10	TR	2	10	TBD	TBD

# CONFIGURATION OPTIONS

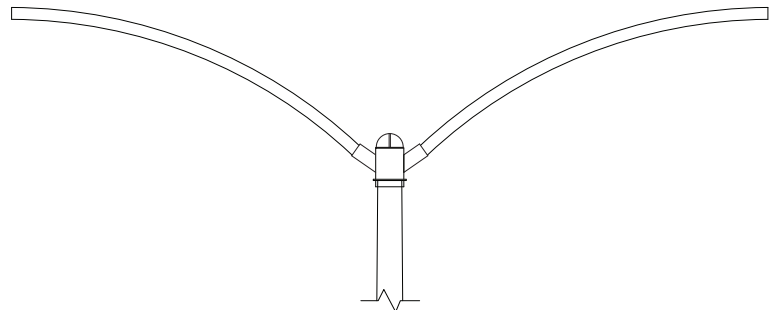
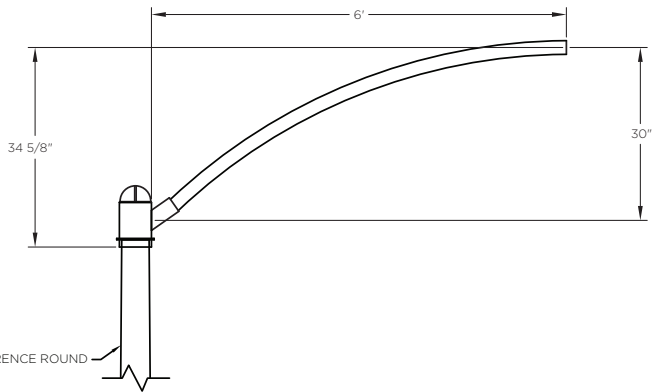
KA150 STREET LIGHT ARM



Octagonal Tenon Mount Single Arm

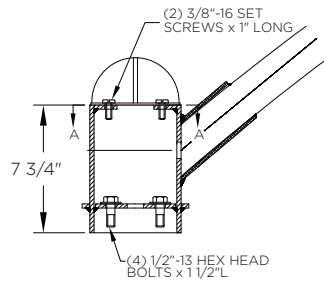


Mount Details



Tenon Round Mount Single Arm Single Arm

Round Tenon Mount Double Arm



Mount Details