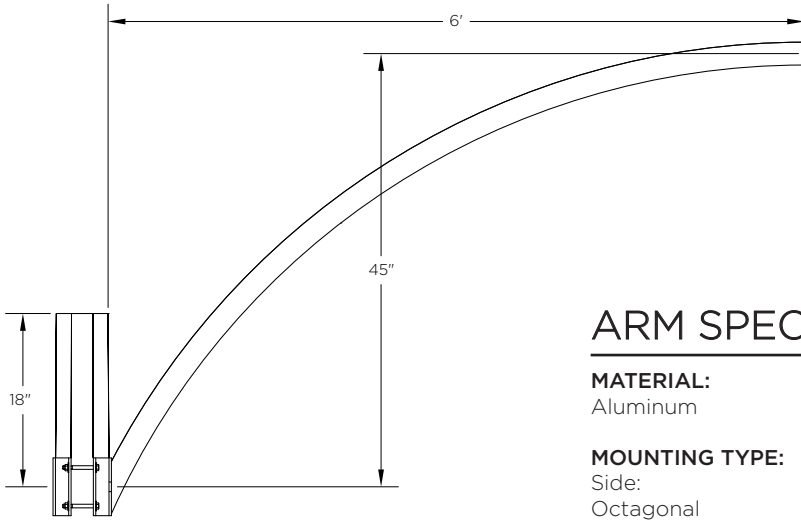


KA160 // CLAMP ON HIGH-RISE STEEL PIPE ARM

STREET LIGHT ARM



The King Luminaire KA160 Street Light Arm is a simple yet elegant clamp on arm. This side clamp aluminum arm is available in a variety of lengths in single or double arm configurations. The KA160 is an idea solution for any street lighting situation.

ARM SPECIFICATIONS

MATERIAL:
Aluminum

MOUNTING TYPE:
Side:
Octagonal
Round

ARM QUANTITY:
Single
Double

ARM LENGTHS:
4'
5'
6'
8'
10'

FINISH:
Available in textured or smooth.

EPA
1.11 - 5.80 sq. ft.

WEIGHT
17 - 58 lbs

ARM DIMENSIONS:

Run	Rise
4'	32"
6'	45"
8'	45"
10'	57"

LEVELING DEVICE:



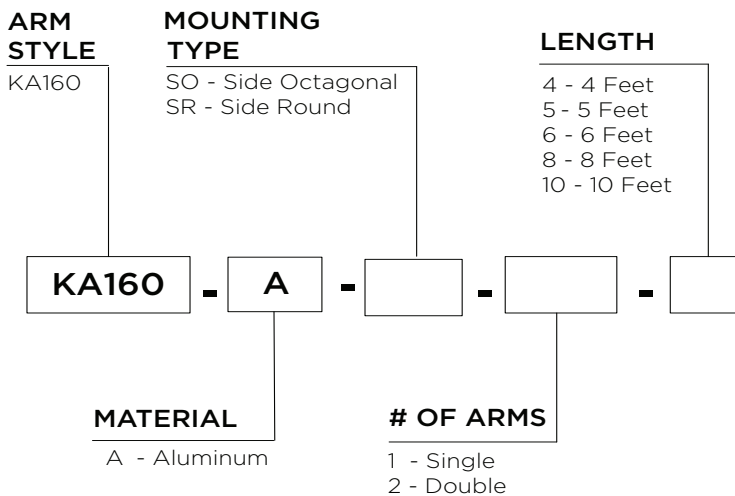
KPL20



KPL30

*See leveling device spec sheet for more options

HOW TO ORDER

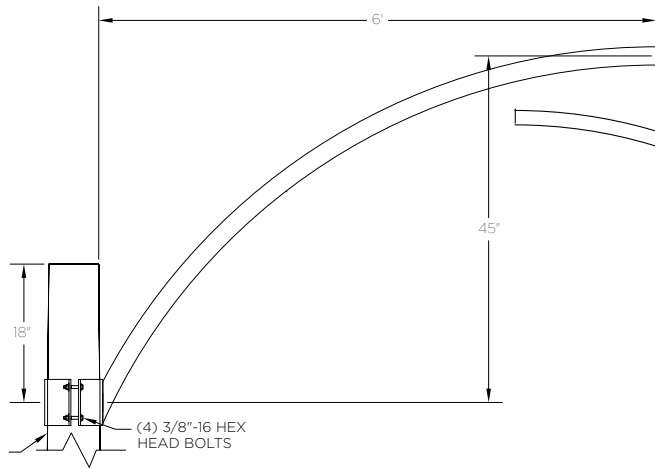


EPA & WEIGHT

Catalog Number	Mount Type	# of Arms	L. (ft)	EPA (sq ft)	Wt. (lbs)
KA160-A-SO-1-4	SO	1	4	1.11	17
KA160-A-SO-1-6	SO	1	6	1.67	20
KA160-A-SO-1-8	SO	1	8	1.99	22
KA160-A-SO-1-10	SO	1	10	2.90	32
KA160-A-SO-2-4	SO	2	4	2.22	30
KA160-A-SO-2-6	SO	2	6	3.23	35
KA160-A-SO-2-8	SO	2	8	3.97	39
KA160-A-SO-2-10	SO	2	10	5.80*	58*
KA160-A-SR-1-4	SR	1	4	1.11	17
KA160-A-SR-1-6	SR	1	6	1.67	20
KA160-A-SR-1-8	SR	1	8	1.99	22
KA160-A-SR-1-10	SR	1	10	2.90	32
KA160-A-SR-1-4	SR	2	4	2.22	30
KA160-A-SR-1-6	SR	2	6	3.23	35
KA160-A-SR-1-8	SR	2	8	3.97	39
KA160-A-SR-1-10	SR	2	10	5.80*	58*

CONFIGURATION OPTIONS

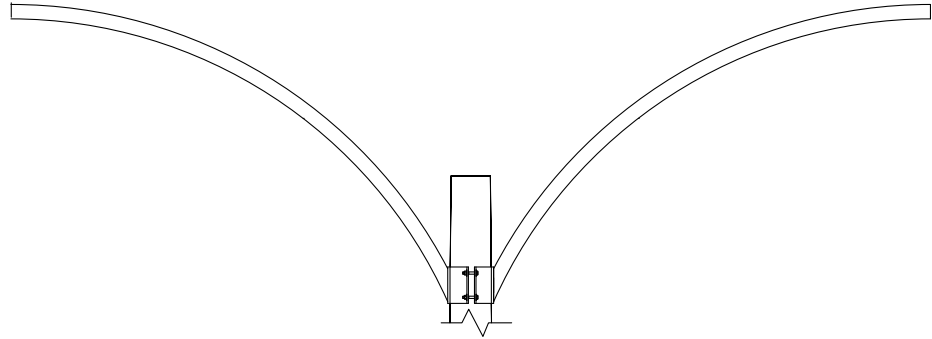
KA160 STREET LIGHT ARM



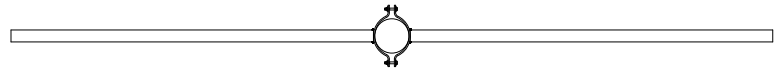
Round Side Mount Single Arm



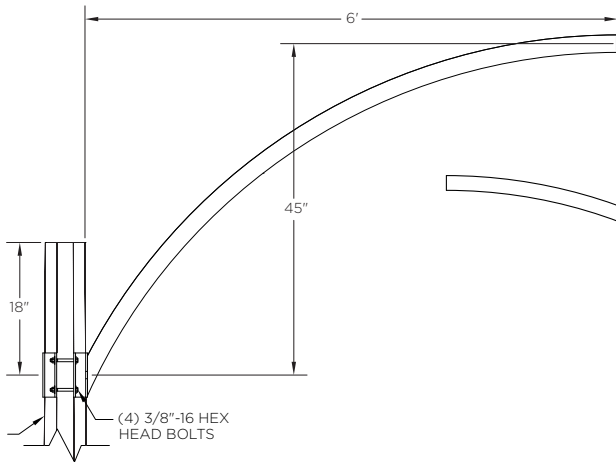
Top View



Round Side Mount Double Arm



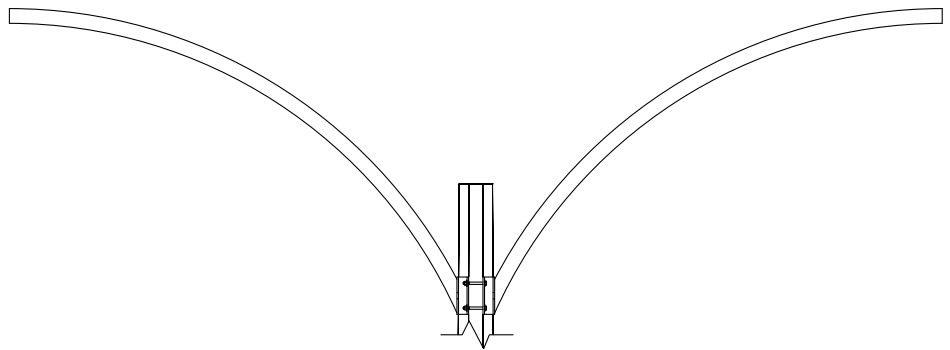
Top View



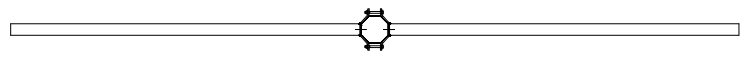
Octagonal Side Mount Single Arm



Top View



Octagonal Side Mount Double Arm



Top View